

Approach Threshold Light

Compliances: FAA AC 150/5345-46: L-850E
ICAO Annex 14
USAF Regulation 88-14
USN NAVAIR 51-50AAA-2
NATO STANAG 3316



ATL

Applications

The ATL is a high intensity unidirectional inset runway threshold light. This light is typically used as a green threshold light with a 185 watt lamp. The main beam may be straight or toed-in 3.5 degrees toward the runway centerline. The ATL may be used as a red end of runway light and as a red stopbar light.

Ordering Information

How to Order: To the basic catalog number, add the letter to match the FAA base size to be installed. Add designations for the lamp wattage and color. Complete the catalog number with a symbol to determine the optical beam toe-in.

Example:

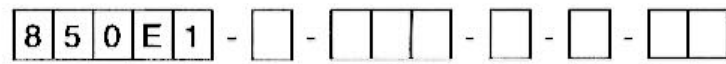
An 850E1-B-185-G-L is a unidirectional threshold light with left beam toe-in using a 185 watt lamp. It mounts on an 11.25 inch bolt circle base. There is one lead to plug into a 200 watt isolation transformer.

Features

- FAA Approved L-850E
- Proven Reliability
- Variety of Mounting Methods
- Optional Nickel-Molybdenum Alloy Casting: 2.3 times the tensile strength of ductile iron
- Optional Metallic-Ceramic Coating for greatly increased corrosion resistance

Application Notes

- Sectional Class I bases may be required for proper installation.
- Size C ATL will also mount on a FAA-L867D base for special applications.
- All bases must have 1.25 inch thick plywood covers. Setting material must be purchased separately for Class II bases: 100 lbs. per base.
- FAA Size B fixtures require that the bases be installed with any two opposite mounting bolt holes parallel to the runway centerline.



FAA Type: []

Number of Leads: []

FAA Base Size: []

B = 11.25 Inch Bolt Circle
C = 14.25 Inch Bolt Circle

Lamp Wattage*: []

115 - 115w
185 - 185w
200 - 200w

Color: []

C = Clear
G = Green
H = Red
Y = Yellow

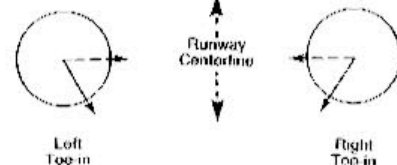
Beam Orientation: []

L = Left Toe-in
R = Right Toe-in
S = Straight

Options: []

NM = High Strength Casting
CR = Corrosion Resistant Coating

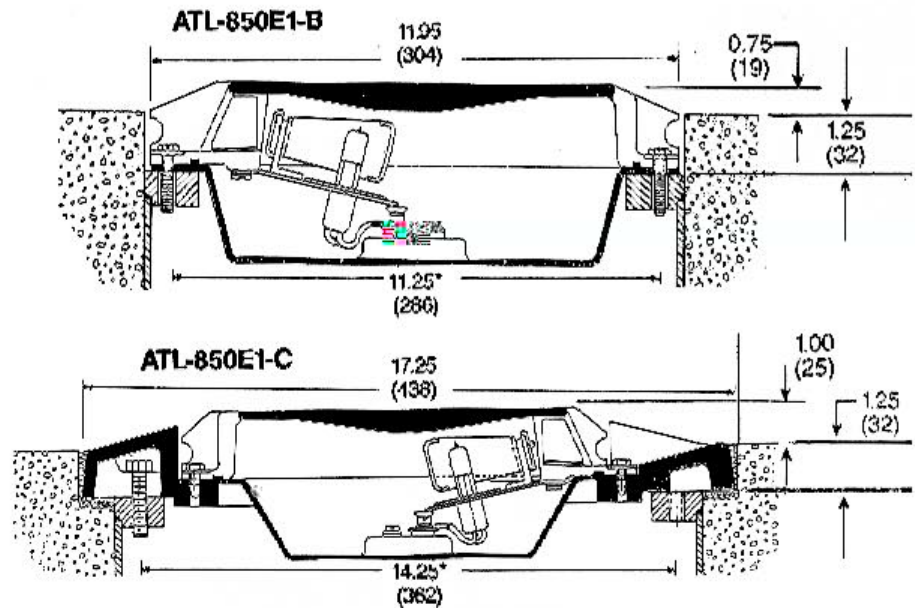
Beam Orientation



* Use 115 watts for VFR approaches only. Use 185 watts for all red lights and precision approaches.

Installation Drawings:

Dimensions: Inches (Millimeters)		
Installation Manual: 8401		
	Size B	Size C
Shipping Weight:	55.0 lbs. 25.0 kg.	90.0 lbs. 41.0 kg.
Shipping Volume:	0.75 cu.ft. .021 cu.m.	1.00 cu.ft. .032 cu.m.



* Diameter for six (6) equally spaced bolts.

Accessories

Catalog Number	Name Description	Shipping Weight		Shipping Volume	
		Lb.	Kg.	Cu. Ft.	Cu. M.
900128-B-16-DF	Base: L-868B, Class II, 16" Deep	30.0	13.6	2.2	.062
900106	Base: L-868C, Class II, 8" Deep	36.0	16.3	2.2	.062
2424	Base: L-868B, Class I, 24" Deep	63.0	28.6	2.5	.070
3524	Base: L-868C, Class I, 24" Deep	78.0	35.4	3.0	.085
6324	Base: L-867D, Class I, 24" Deep	67.0	30.4	4.3	.122
20452-S234	Base: Shallow, Size B	25.0	11.3	0.8	.022
33004	Transformer L-830-4, 100w 6.6/6.6A	12.0	5.4	0.4	.011
33006	Transformer L-830-6, 200w 6.6/6.6A	16.0	7.3	0.4	.011
33200	Transformer, 200w 240v/30v for FAA MALS	16.0	7.3	0.4	.011
10048-93A/C	Setting material for Class II Base, 50 lb. bag	50.0	22.7	2.0	.112
10047-1417	Connector Kit L-823, 8 AWG, .32" to .43" O.D.				
10047-1425	Heat Shrink Kit				

Renewal Parts

Part Number	Description	Part Number	Description
20496	Lamp 115w	19095	Socket
20538	Lamp 185w	19096	Socket Holder
20268	Lamp 200w	20462	Bottom Cover Assembly
20073-Y	Filter Assembly, Yellow	10048-2	RTV 106
20073-DR	Filter Assembly, Red	10047-409	Film Disc Cutout
20073-DG	Filter Assembly, Green		
20148	Reflector		
10035-33-274	O-Ring		
10035-33-010	O-Ring		
20020	Lead Assembly		

FAA Base Size C Only:

20483-XXX-X-X*	Optical Assembly
20481	Mounting Ring
10000-365M	Bolt
11A11-031D	Lock Washer

* Add lamp wattage, color, and beam orientation.

COOPER
Crouse-Hinds
Quality from
Cooper Industries

For more information

**CROUSE-HINDS
AIRPORT LIGHTING PRODUCTS**
1200 Kennedy Road
Windsor, CT 06095 USA
TEL: (860) 683-4300
FAX: (860) 683-4354

**CROUSE-HINDS
AIRPORT LIGHTING PRODUCTS**
5925 McLaughlin Road
Mississauga, Ontario
CANADA L5R 1B8
TEL: (905) 507-4187
FAX: (905) 501-4078



**CROUSE-HINDS
AIRPORT LIGHTING
PRODUCTS**