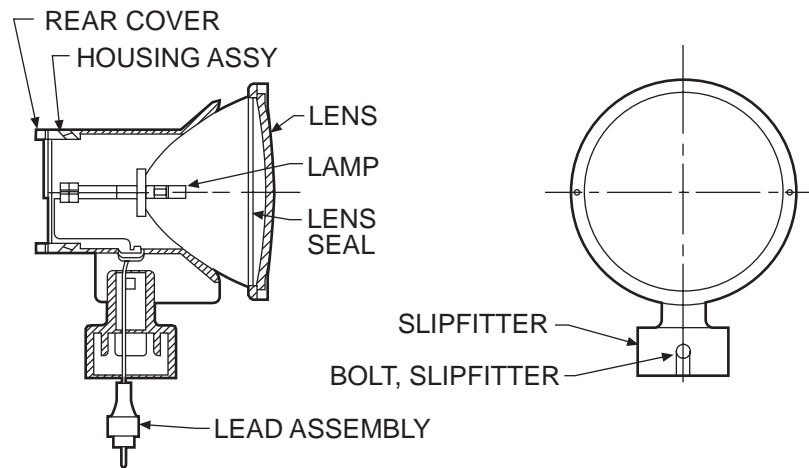


Outline Drawing

Instruction Manual: 9702



Accessories

Part Number	Description	Shipping Weight		Shipping Volume	
		Lbs.	Kg.	Cu.Ft.	Cu.M.
33004	Isolation Transformer, 100 watts, 6.6/6.6A	8.6	3.9	0.3	0.009
33005	Isolation Transformer, 100 watts, 20/6.6A	8.6	3.9	0.3	0.009
33150	Isolation Transformer, 150 watts, 6.6/6.6A	8.9	4.04	0.3	0.009
33006	Isolation Transformer, 200 watts, 6.6/6.6A	8.9	4.04	0.3	0.009
33007	Isolation Transformer, 200 watts, 20/6.6A	8.9	4.04	0.3	0.009
61062-1	Breakable Coupling with Compression Fitting	1	0.5	0.03	0.001
AP1932	Baseplate, 2" Hub, 12" Diameter	8	3.6	0.14	0.004
900062-B-16	Base L-867B, Class II, 16" Deep	13	5.9	1.8	0.051
900062-B-24	Base L-867B, Class II, 24" Deep	16	7.3	2.6	0.074
AC21242H200001	Base L-867B, Class I, 24" Deep	52	23.6	2.6	0.074
823KP-D4-D4	Connector Kit L-823, 8 AWG, .32" to .43" O.D.				
50133	Aiming Device				
10047-2154	Heat Shrink Kit (1-piece)				
10047-1425	Heat Shrink Kit (2-piece)				

Renewal Parts

Part Number	Description	Part Number	Description
50115-2	Housing Assembly	50136	Lead Assy., 6.6A, 6.5' (2m) Long
50124	Rear Cover Assembly	50126	Lens Seal
50256	Lens, Absorption Clear	50200-100	Lamp, PK30d, 100 watts, 6.6A
50251-R	Lens, Absorption Red	50200-150	Lamp, PK30d, 150 watts, 6.6A
50251-G	Lens, Absorption Green	50200-200	Lamp, PK30d, 200 watts, 6.6A
50106	Slipfitter, Less Hardware	10A10-025D32	Bolt, Slipfitter

Shipping Weights and Volumes

Catalog Number	Shipping Weight		Shipping Volume	
	Lbs.	Kg.	Cu.Ft.	Cu.M.
98250-C (or R or G) -100 (or 150 or 200)-66	4.5	2.04	0.70	0.020

COOPER Crouse-Hinds

For more information

**CROUSE-HINDS
AIRPORT LIGHTING PRODUCTS**
1200 Kennedy Road
Windsor, CT 06095 USA
TEL: (860) 683-4300
FAX: (860) 683-4354

**CROUSE-HINDS
AIRPORT LIGHTING PRODUCTS**
5925 McLaughlin Road
Mississauga, Ontario
CANADA L5R 1B8
TEL: (905) 507-4187
FAX: (800) 263-9504

**CROUSE-HINDS
AIRPORT LIGHTING
PRODUCTS**

Elevated Approach Light/PK-30 Type



EALK

Compliances: ICAO Annex 14
U.S. Air Force AFR 88-14
NATO STANAG 3316
U.S. Navy NAVAIR 51-50AAA-2
Transport Canada Specification K-302

Applications

The EALK is a unidirectional elevated light which may be used as a clear or red approach light, a red end of runway light, and a green threshold light.

For more information, refer to the application/fixture selection table on page CT-2.5

Features

- Suitable for replacement of MB-2 lights per U.S. Air Force AFR 88-14.
- Uses PK-30d low power consumption lamps.
- Easy to install - mounts on a standard 2" (50mm) pipe and a breakable coupling or approach mast mounted.
- Easy to relamp - special tools are not required.
- Cast aluminum housing.
- Easy to aim - uses precise aiming device* with digital readout.
- Sealed colored lens - eliminates need for filter and clips.
- Shipped fully assembled.

Ordering Information

How to Order: To the basic catalog number, add the symbols for Color, Lamp type, Cable Assembly and Options (if any). A breakable coupling may be required for proper mounting and must be ordered separately.

Examples:

98250-C-200 is a clear approach light with a 200 watt lamp.

98250-G-200-66 is a green threshold light with a 200 watt lamp and 6.5' (2m) long 6.6 amp cable.



Basic Catalog Number _____

Light Color _____

C = Clear Lens
R = Red Lens
G = Green Lens

Lamp Type _____

100 = 100 Watts, 6.6 Amp, PK30d
150 = 150 Watts, 6.6 Amp, PK30d
200 = 200 Watts, 6.6 Amp, PK30d
No symbol means a lamp is not included.

Cable Assembly _____

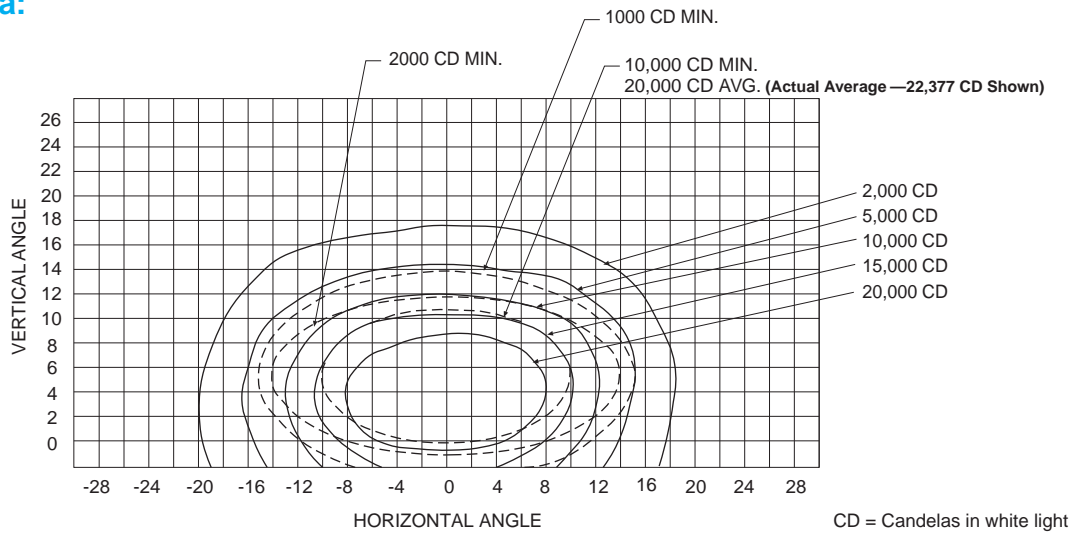
66 = 6.5 Feet (2 Meters) Long Cable, 6.6 Amp Rated with L-823 Plug
No symbol means a cable is not included.

Options _____

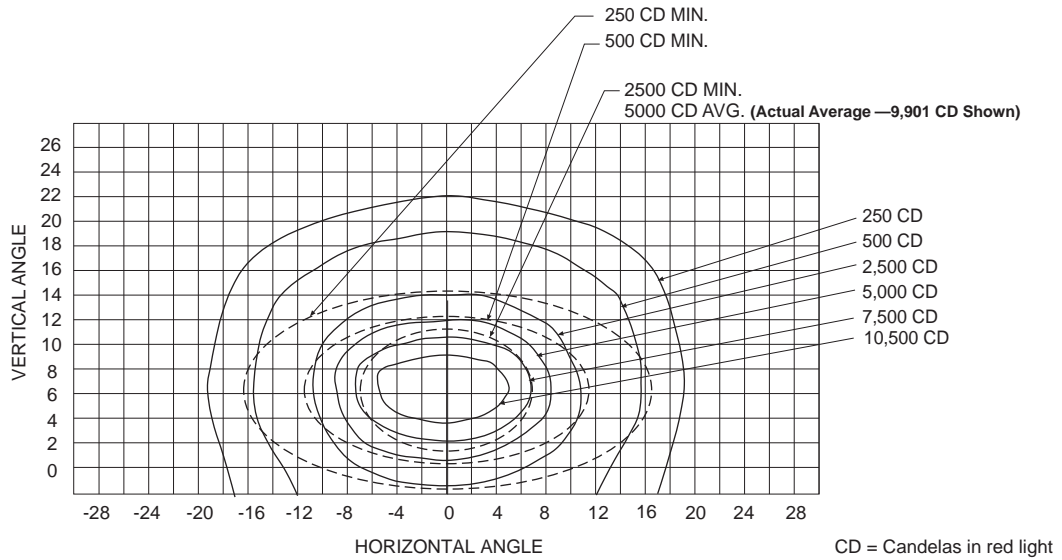
10 = Mounting Kit (Consist of 61062-1 Frangible Coupling and 25003 Cable Clamp Assembly).
11 = Ground Wire

* Order 50133 aiming device separately (one per facility).

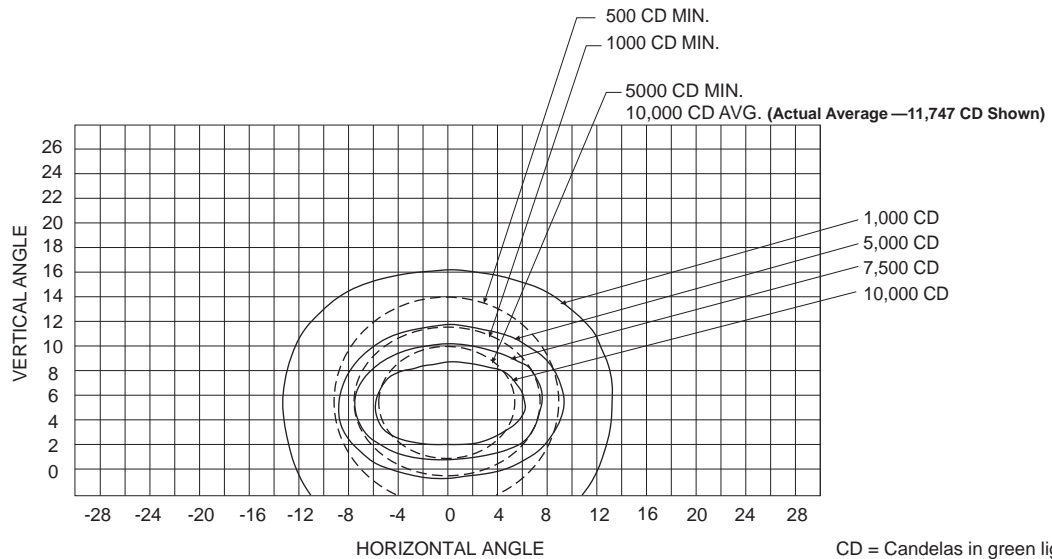
Photometric Data:



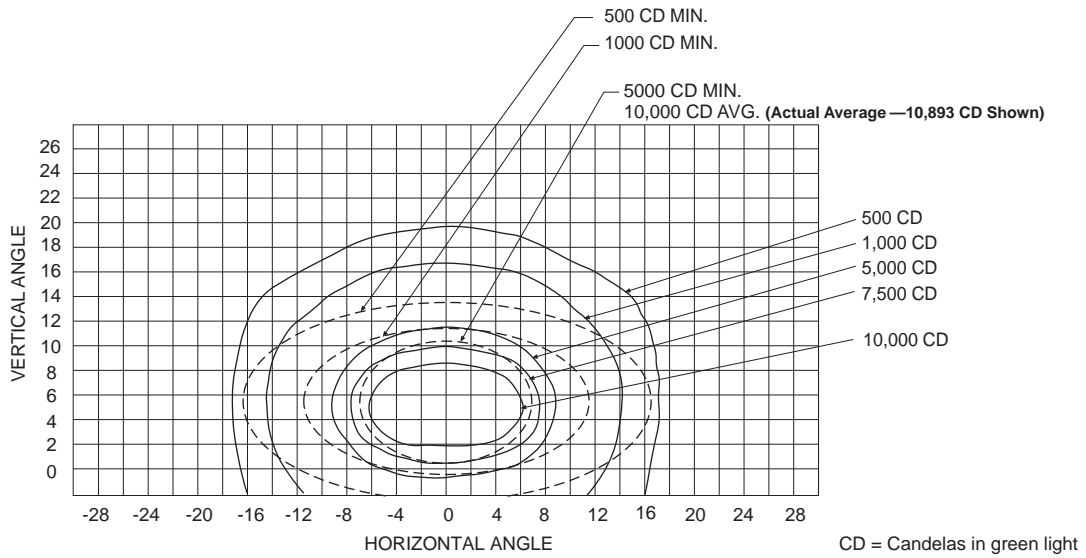
APPROACH CENTERLINE & CROSS BAR WHITE LIGHT - 200 WATTS
(ICAO FIGURE 2.1)



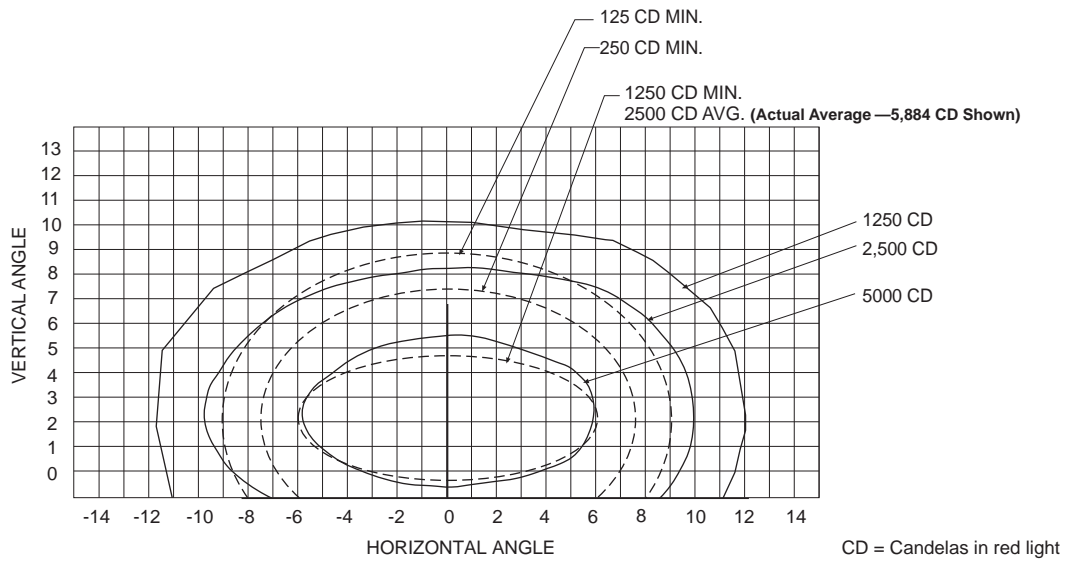
APPROACH SIDE ROW RED LIGHT - 200 WATTS
(ICAO FIGURE 2.2)



THRESHOLD GREEN LIGHT - 150 WATTS
(ICAO FIGURE 2.3)



THRESHOLD WING BAR GREEN LIGHT - 200 WATTS
(ICAO FIGURE 2.4)



RUNWAY END RED LIGHT - 100 WATTS
(ICAO FIGURE 2.9)

APPLICATION/FIXTURE SELECTION TABLE

APPLICATION (ICAO, USAF, NATO, U.S. NAVY)	CATALOG NUMBER
WHITE, APPROACH CENTERLINE AND CROSS BAR LIGHT	98250-C-150-66* 98250-C-200-66*
RED, APPROACH SIDE ROW LIGHT	98250-R-150-66* 98250-R-200-66*
GREEN, RUNWAY THRESHOLD LIGHT	98250-G-150-66 98250-G-200-66*
GREEN, RUNWAY THRESHOLD WING BAR LIGHT	98250-G-200-66*
RED, RUNWAY END LIGHT	98250-R-100-66

* Confirmed by CSA Letter of Attestation.