

PRO III™

IRTL



Inset Runway Threshold Light

Compliances: FAA AC 150/5345-46B: L-850E

COOPER Crouse-Hinds
AIRPORT LIGHTING PRODUCTS



IRTL

**L
8
5
0
E**

Applications

The IRTL is a medium intensity unidirectional light (using two 48 W lamps). This fixture is used on runways where the threshold lighting is co-located and where it is impractical to use an elevated light.

Features



- ETL Certified
- Low profile, < .25" (6mm) – FAA Style 3
- Low power consumption
- Few parts to stock
- Easy to maintain – no sealant required for prism or feed-through assembly replacement
- Pressure test plug for seal integrity verification
- Long lamp life – Quartz Halogen, 48 W, 6.6 A
- High-strength forged aluminum

Ordering Information

8 5 0 E 3 – G

FAA Type: _____

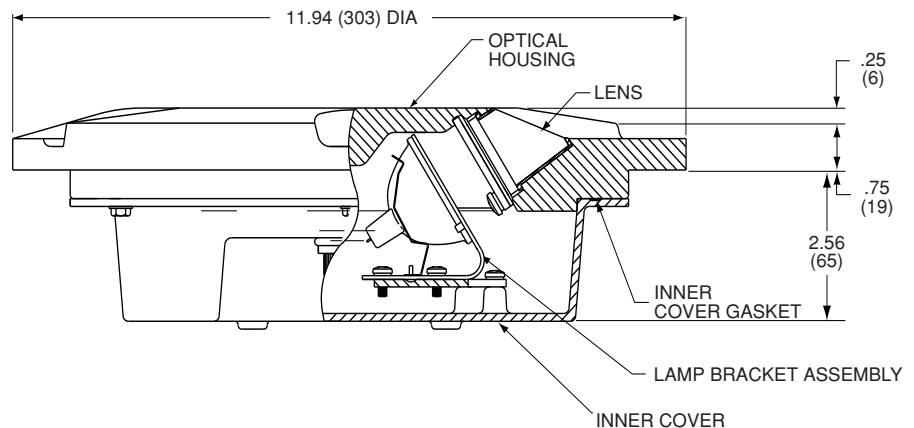
Fixture Type: _____
E = Runway threshold light

Color: _____
G = Green (Straight beam)*

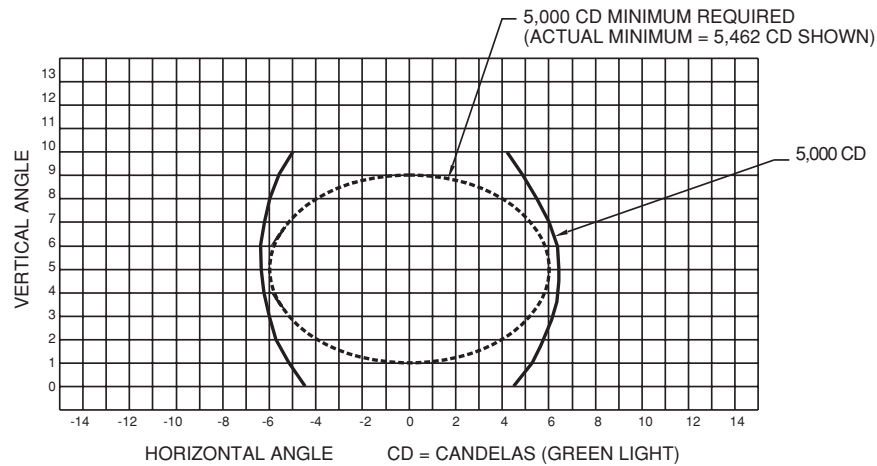
* For fixtures which require toe-in or other color, please consult factory.

Outline Drawing:

Dimensions: Inches (Millimeters)	
Instruction Manual:	9929
Shipping Weight:	16.0 lbs. 7.3 kg
Shipping Volume:	0.7 cu. ft. 0.02 m ³



Typical Photometric Data:



L-850E Inset Runway Threshold Light – Green

Accessories

Catalog Number	Item Description	Catalog Number	Item Description
AC24242Q200003	Base: L-868B, Class I, 24" Deep	823KP-D4-D4	Connector Kit – L-823, 8 AWG, .32" to .43" O.D.
33004	Isolation Transformer – 100 W, 6.6/6.6 A	10047-2154	Heat Shrink Kit – 1 Piece
33005	Isolation Transformer – 100 W, 20/6.6 A	10047-1425	Heat Shrink Kit – 2 Piece
19999	Lifting Tool	21151	Adapter Ring – 15" L-868D Base (11.25" bolt circle to 14.25" bolt circle)

Renewal Parts

Part Number	Description	Part Number	Description
21169	Lamp – 48 W, 6.6 A	21122	Feed-through Assembly – 1 Lamp, 1 Connector
21126-G*	Lens Replacement Kit – Green	10048-25	Gasket Lubricant – 5.3 oz. Container
21140	Gasket – Bottom Cover		

* Includes 21102-G lens, 21103 lens boot, 21101 lens retaining gasket and gasket lubricant.



For more information

**CROUSE-HINDS
AIRPORT LIGHTING PRODUCTS**
1200 Kennedy Road
Windsor, CT 06095
USA
TEL: (860) 683-4300
FAX: (860) 683-4354
WEBSITE: www.chalp.com

**CROUSE-HINDS
AIRPORT LIGHTING PRODUCTS**
5925 McLaughlin Road
Mississauga, Ontario
CANADA L5R 1B8
TEL: (905) 507-4187
FAX: (800) 263-9504