



Inset Threshold and Approach Light

Compliances: FAA AC 150/5345-46: L-850E
ICAO Annex 14
USAF Regulation AFM 32-1076
U.S. Navy NAVAIR 51-50AAA-2
NATO STANAG 3316



ITAL

Applications

Known as the **TriLITE™**, the ITAL does triple duty as an inset approach light, an inset threshold light, and an inset runway end light. The ITAL is a unidirectional light with one or two 150 watt lamps depending upon the application. It may be used for any category ICAO or military runway and for FAA CAT I runways.

Refer to the table on Page CT-1.2 to select the basic catalog number to meet the desired application.

Features

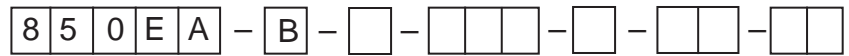


- ETL Certified*
- Meets USAF and ICAO photometric requirements for threshold, end and approach lighting systems
- Metallic-Ceramic Coating for greatly-increased corrosion resistance
- Common Optical System for all applications
- Dual-Light Channels with narrow windows
- Center Rib between windows resists military tailhook damage
- One-Piece 12-inch Casting resists snowplow damage
- Soft-Mount Optical System to resist shock damage
- Pressure Tested for watertightness
- Single Plug Lead Assembly for use with one isolation transformer
- Optional Standby Lamp Transfer to reduce light maintenance for single lamp applications (Option - A)
- Optional High Strength Casting: 2.3 times the tensile strength of ductile iron

Ordering Information

How to Order: Select the basic catalog number for the application from the chart on page CT-1.2. Add symbols for options as required. Order separately a single isolation transformer and a mounting base. See beam orientation diagram on page CT-1.3.

Example: 850EA-B-2-150-R-S-A is a unidirectional red runway end light with one operating 150 watt lamp and one standby 150 watt lamp. Upon failure of the first lamp, power is automatically transferred to the spare lamp. The light operates on a single 150 or 200 watt isolation transformer powered by a series circuit.



FAA Type: _____

Model: _____

FAA Base Size: _____
B = 11.25 Inch Bolt Circle

Number of Lamps: _____
1 = 1 x Lamp 20710 6.6A
2 = 2 x Lamp 20710 6.6A

Operating Wattage: _____
150** = 1 x 150W
300 = 2 x 150W

Color: _____
C = Clear G = Green R = Red

Beam Orientation: _____
L2 = Left Toe-in 2° L3 = Left Toe-in 3.5°
R2 = Right Toe-in 2° R3 = Right Toe-in 3.5°
S = Straight 0°

Options: _____
NM = High-Strength Plow-Resistant Casting
A** = Standby Lamp (Series Circuit): Energizes standby lamp upon failure of operating 150W lamp.

* Runway End or FAA CAT I Threshold applications only
** For Option A, select basic catalog number 850EA-B-2-150-□-□□-A.

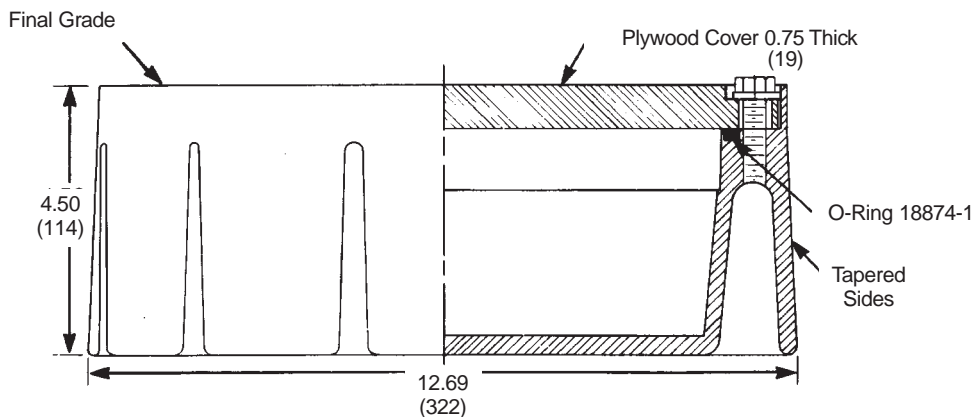
Technical Data

Application**	Color	Catalog Number***
ICAO		
Threshold	Green	850EA-B-2-300-☆-3
Threshold: Wing Bar	Green	850EA-B-2-300-☆-2
Runway End	Red	850EA-B-1-150-R-S
Approach: Centerline Barrette	Clear	850EA-B-2-300-C-S
Approach: Side Row Barrette	Red	850EA-B-2-300-R☆-2
NATO		
Threshold*	Green	850EA-B-2-300-G-S
Runway End	Red	850EA-B-1-150-R-S
Approach: Centerline Barrette	Clear	850EA-B-2-300-C-S
Approach: Terminating Bar	Red	850EA-B-2-300-R-S
Approach: Inboard Wing Bar	Red	850EA-B-2-300-R-S
Approach: Side Row Barrette	Red	850EA-B-2-300-R-S
USAF		
Threshold*	Green	850EA-B-2-300-G-S
Runway End	Red	850EA-B-1-150-R-S
Approach: Centerline Barrette	Clear	850EA-B-2-300-C-S
Approach: Terminating Bar	Red	850EA-B-2-300-R☆-2
Approach: Pre-Threshold Bar	Red	850EA-B-2-300-R☆-2
Approach: Side Row Barrette	Red	850EA-B-2-300-R☆-2
FAA		
Threshold*: Category I	Green	850EA-B-1-150-G-S
Runway End	Red	850EA-B-1-150-R-S

- * Includes Wing Bars.
- ** If the runway category is not noted, then the catalog number is used for all applicable categories.
- *** Add options as required.
- ☆ Select equal quantities of left and right toe in.

Outline Drawing:

Shallow Base 20452-S234

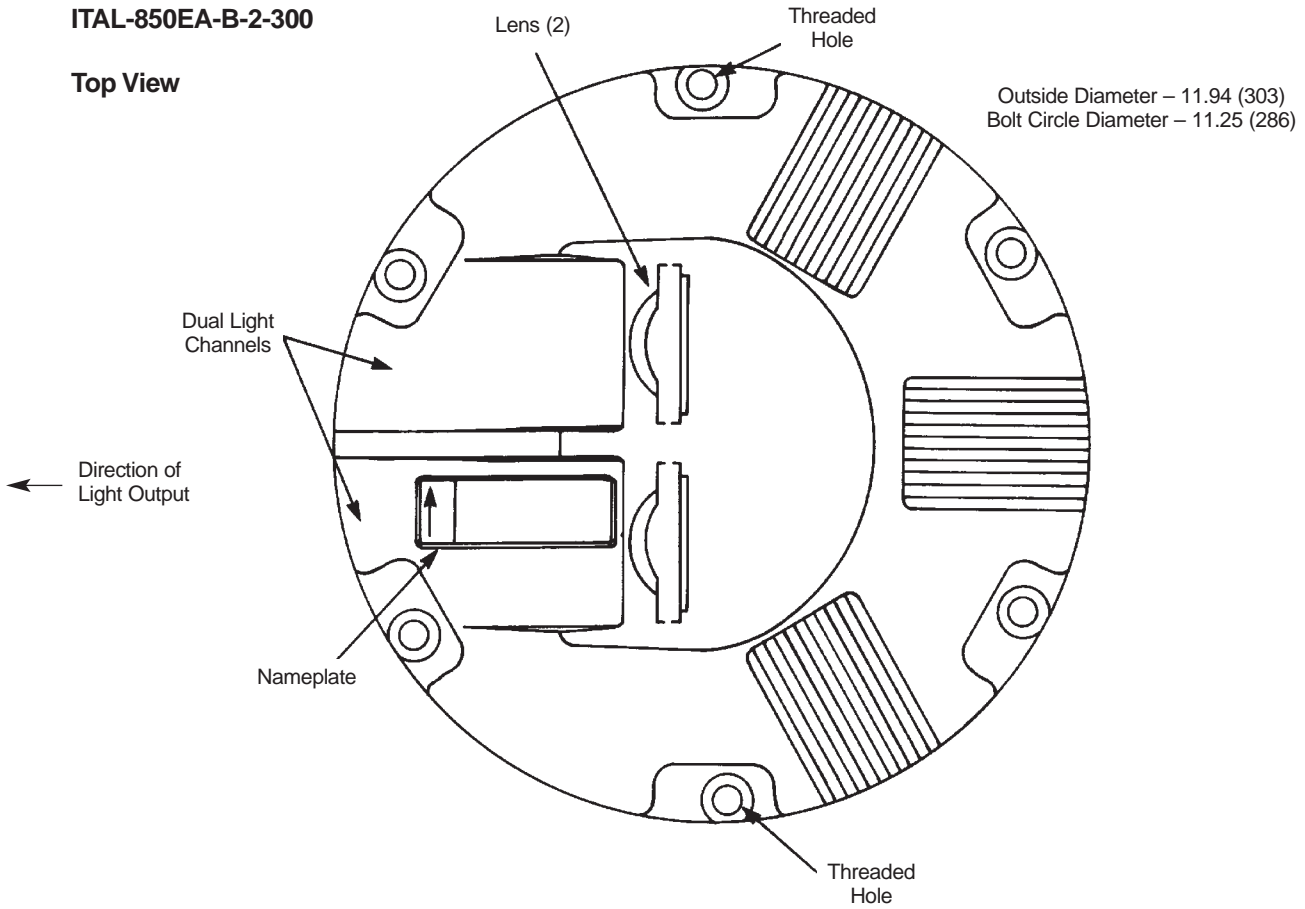


Not Shown: Wire leads pass through the side wall including ground lead. L-823 receptacle inside base.

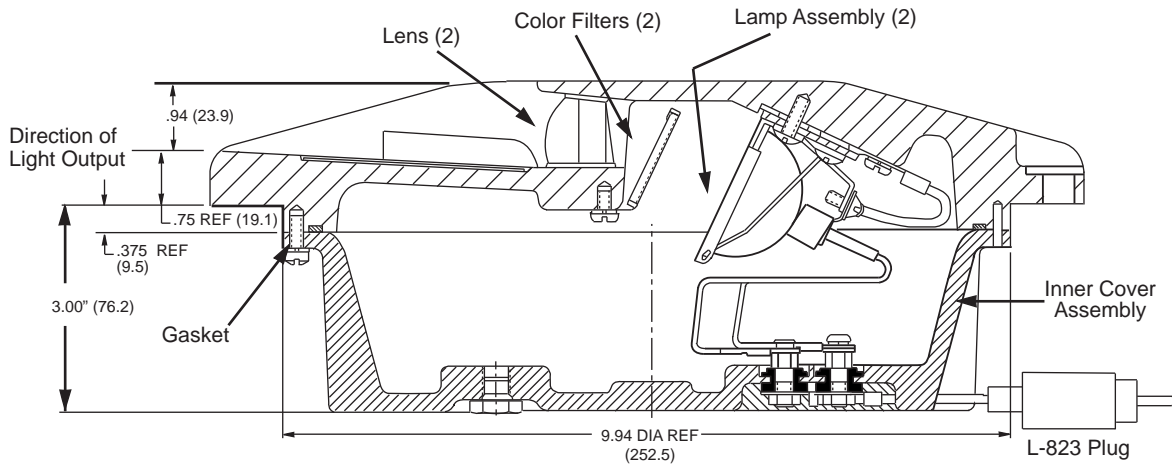
Outline Drawings

ITAL-850EA-B-2-300

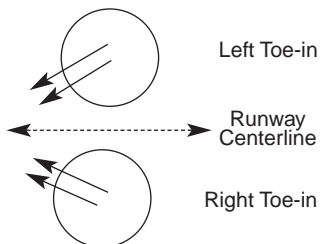
Top View



Side View (cutaway)



Beam Orientation* Diagram



*The beam orientation is not field adjustable.

Dimensions: Inches (Millimeters)	
Instruction Manual:	9013
Shipping Weight:	26.0 lbs 11.8 kg.
Shipping Volume:	0.7 cu.ft. 0.02 cu.m.

Application Notes

- Only the mounting bases listed below are approved for use with ITAL. Other bases must be explicitly approved by Crouse-Hinds or the warranty is voided.
- Only the high quality paving sealants and epoxies listed in manual 9013 are suitable for use with ITAL.
- Beam orientation is achieved by the fixture casting bolt drilling pattern. Light bases are installed with any two opposite bolt holes perpendicular to the runway centerline.
- The beam orientation is not field adjustable.
- There are two threaded holes 180 0.622 267aD (er SW)Tj 0.90tit holes2e

Accessories

Catalog Number	Description	Shipping Weight		Shipping Volume	
		Lbs.	Kg.	Cu.Ft.	Cu.M.
AC24242H200003	Base L-868, Size B, Class I*	63.0	28.6	2.5	.070
20452-S234	Shallow Base, Size B, Tapered Sides	25.0	11.3	0.8	.022
33150	Transformer, 150w, 6.6/6.6A	16.0	7.3	0.4	.011
33151	Transformer, 150w, 240v/22.7v (6.6A lamp) MALS	16.0	7.3	0.4	.011
33010	Transformer, 300w, 6.6/6.6A	23.0	10.4	0.6	.017
33011	Transformer, 300w, 20/6.6A	23.0	10.4	0.6	.017
33300	Transformer, 300w, 240v/45.5v (6.6A lamp) MALS	23.0	10.4	0.6	.017
823KP-D4-D4	Connector Kit L-823, 8 AWG, .32" to .43"				
10047-1425	Heat Shrink Kit				
19583	Setting Jig for base with light mounted				
19583-2	Setting Jig for base only				
19999	Lifting Handle				
20734	Lens Alignment Jig				

*Sectional bases may be required depending upon the paving technique.

Renewal Parts

Part Number	Description	Part Number	Description
20710	Lamp 150w 6.6A	10035-33-270	O-Ring, Inner Cover
20704-1	Lamp Bracket Assembly, 1 Lamp Unit	20984-1	Inner Cover Assembly, 150w Versions
20704-2	Lamp Bracket Assembly, 2 Lamp Unit	20984-3	Inner Cover Assembly, 300w Versions
20708-R	Filter Assembly, Red	20984-4	Inner Cover Assembly, Option – A Versions
20708-G	Filter Assembly, Green	21038	Lead/Plug Assembly
20707	Lens Assembly	10047-409	Film Disc Cutout (Option – A)
10048-2	RTV 106, 3.3 oz.	20606	Hardware Kit for 20452-S234 Base
10048-3	RTV Primer, 1.3 oz.		6 – 20033 Bolt
10048-25	Silicone Grease		6 – 11A21-037D Washer
10048-30	Loctite Grade 242		1 – 188741-1 O-Ring
20327	Epoxy Kit		
20721	Heat Transfer Strap		