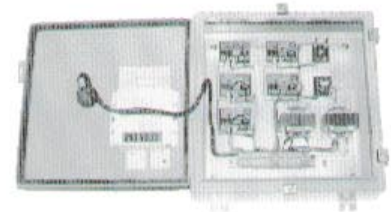


# Obstruction Lighting Controller



**Compliances:** FAA AC 70/7460-1  
FCC Rules and Regulations  
NEMA & UL Enclosures  
IEC 529 Enclosures

**OLC**

## Features

Each OLC includes the beacon flashers, alarm relays for all lights, the FAA required PEC override switch, and line transient protection. Alarm relays are factory preset based upon the OLC application. Custom designed OLC's 70070 and 70270 are available for any application.

## Ordering Information

**How to Order:** Select the catalog number from the chart below suitable for the application based upon the number of beacons and obstruction lights within the maximum height limitation. Order the PEC-52010 separately.

### Options:

- D = Transfer Relay for dual red/white lighting system
- AM = Hot AM Tower Application
- FP = Flasher and/or Power Failure Alarm Relays
- LA = Lightning Arrestors
- Hazardous Atmosphere Rated by Request

## Controller Selection Chart

OLC Catalog Number	Input Voltage <sup>a</sup>	Flashing Beacon Outputs <sup>1</sup>	Obstruction Light Outputs <sup>1</sup>		Maximum Structure Height <sup>2</sup>		NEMA Enclosure		Booster Txmr	Lamp Transfer Relays	Typical FAA Structure
			Singles	Doubles	Feet	Meters	3R	4			
70000A	120	1	2	0	225	70	X				A-1
70001A	120	1	2	0	1000	305	X		X		A-1
70002A	120	2	6	0	1000	305	X		X		—
70002B	120	3	6	0	1000	305	X		X		—
70002C	120	3	8	0	1000	305	X		X		A-2
70003A	120	3	9	0	1270*	388*	X		X		—
70003B	120	5	9	0	1270*	388*	X		X		A-3
70003C	120	5	12	0	1270*	388*	X		X		A-3
70004A	120	2	4	0	225	70	X				—
70042A	120	3	0	3	225	70		X		X	A-1
70043A	120	3	0	3	1000	305		X	X	X	A-1
70070	120	**	**	**	**	**		**	**	**	**
70200A	230	1	2	0	1200	365	X				—
70202A	230	2	6	0	1200	365	X				—
70203A	230	3	9	0	1200	365	X				—
70204A	230	2	4	0	1200	365	X				—
70238A	230	1	0	2	1200	365		X		X	—
70240A	230	2	0	3	1200	365		X		X	—
70242A	230	3	0	3	1200	365		X		X	—
70270	230	**	**	**	**	**		**	**	**	**

<sup>1</sup> Flashing FCB beacons use two 620w lamps at 120v or two 500w lamps at 240v. Obstruction lights use 116w lamps at 120v or 100w lamps at 240v. Double EOL or VAW obstruction lights have one lamp burning and one lamp standby.

<sup>2</sup> Heights are calculated maximums based upon OLC capacities with certain wire sizes and are not related to FAA specified configurations.

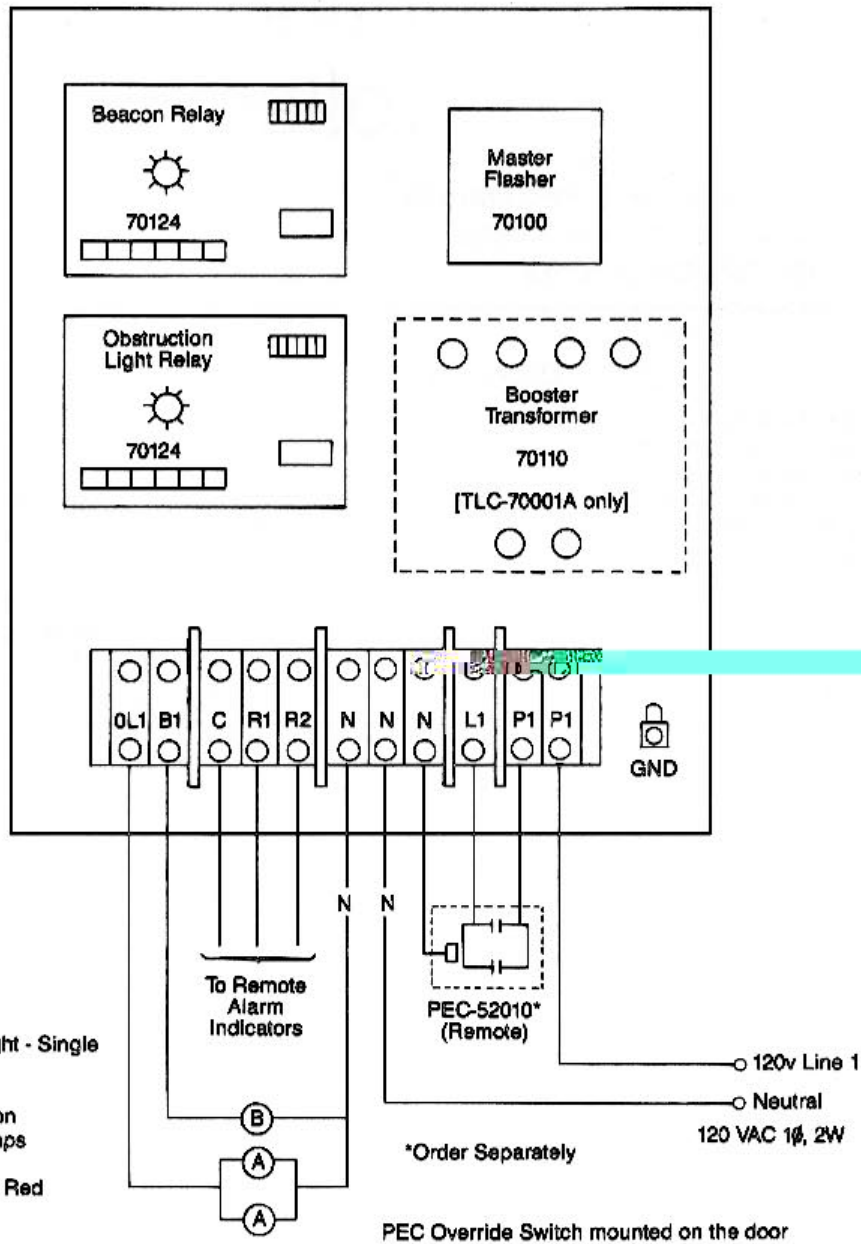
<sup>a</sup> Voltages are line to neutral. The 230v units are typically for 220-240v export applications and require a neutral or grounded leg.

\* Based upon #8 AWG wire. All other heights based upon #8 AWG wire (120v) and #10 AWG wire (230v).

\*\* Custom designed controllers with special features.

**Wiring Diagram**

OLC-70000A  
 OLC-70001A



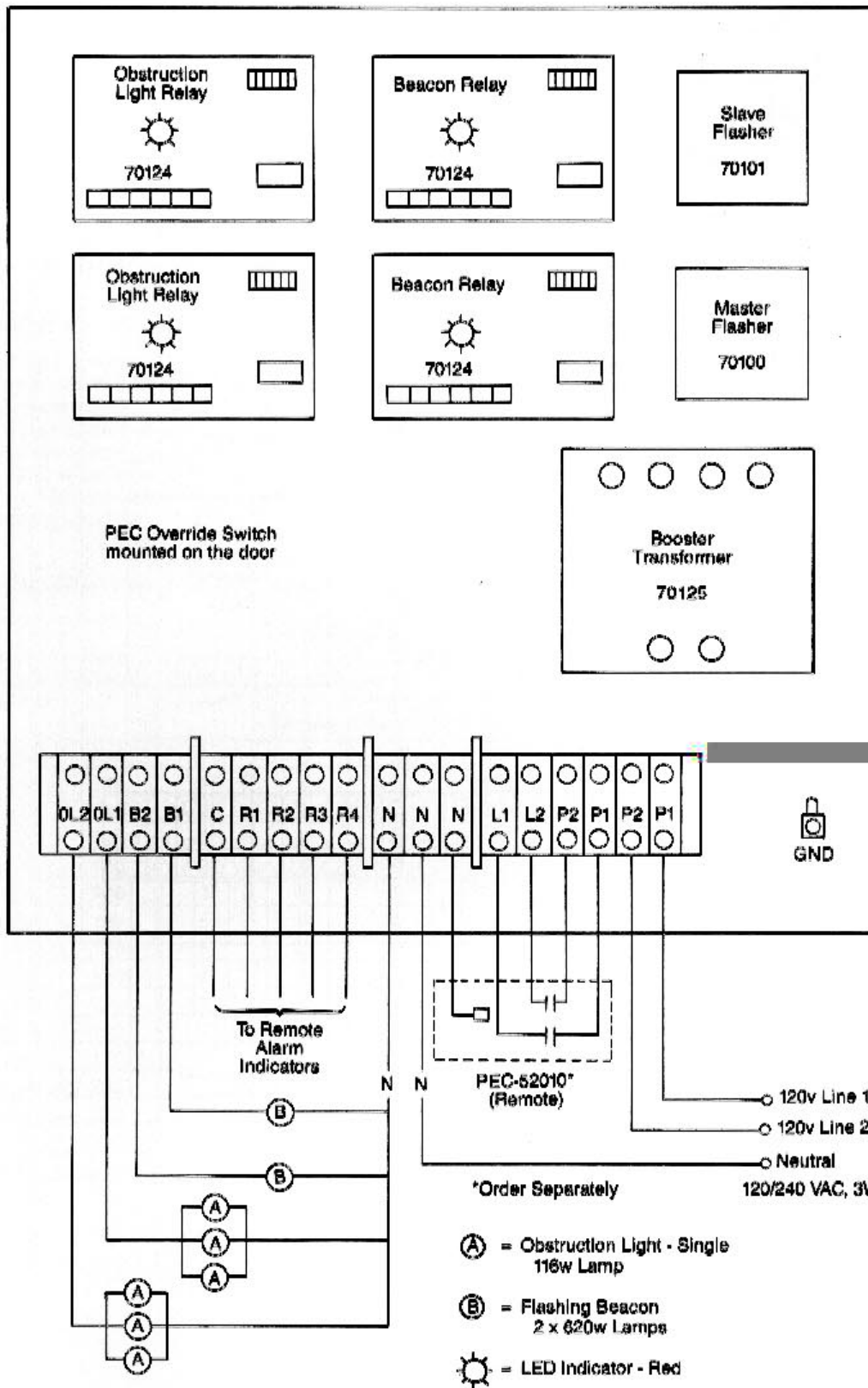
Enclosure: NEMA 3R Hoffman Brand A-16R126HCR  
 Height = 16 (406)    Width = 12 (305)    Depth = 8 (152)

	Shipping Weight		Shipping Volume	
	lbs.	kg.	cu.ft.	cu.m.
70000A	10.0	4.5	1.2	.034
70001A	12.0	5.4	1.2	.034
70002A	24.0	10.9	2.0	.057

Note: Wiring diagrams and dimensional data for all OLC controllers are available upon request.

**Wiring Diagram**

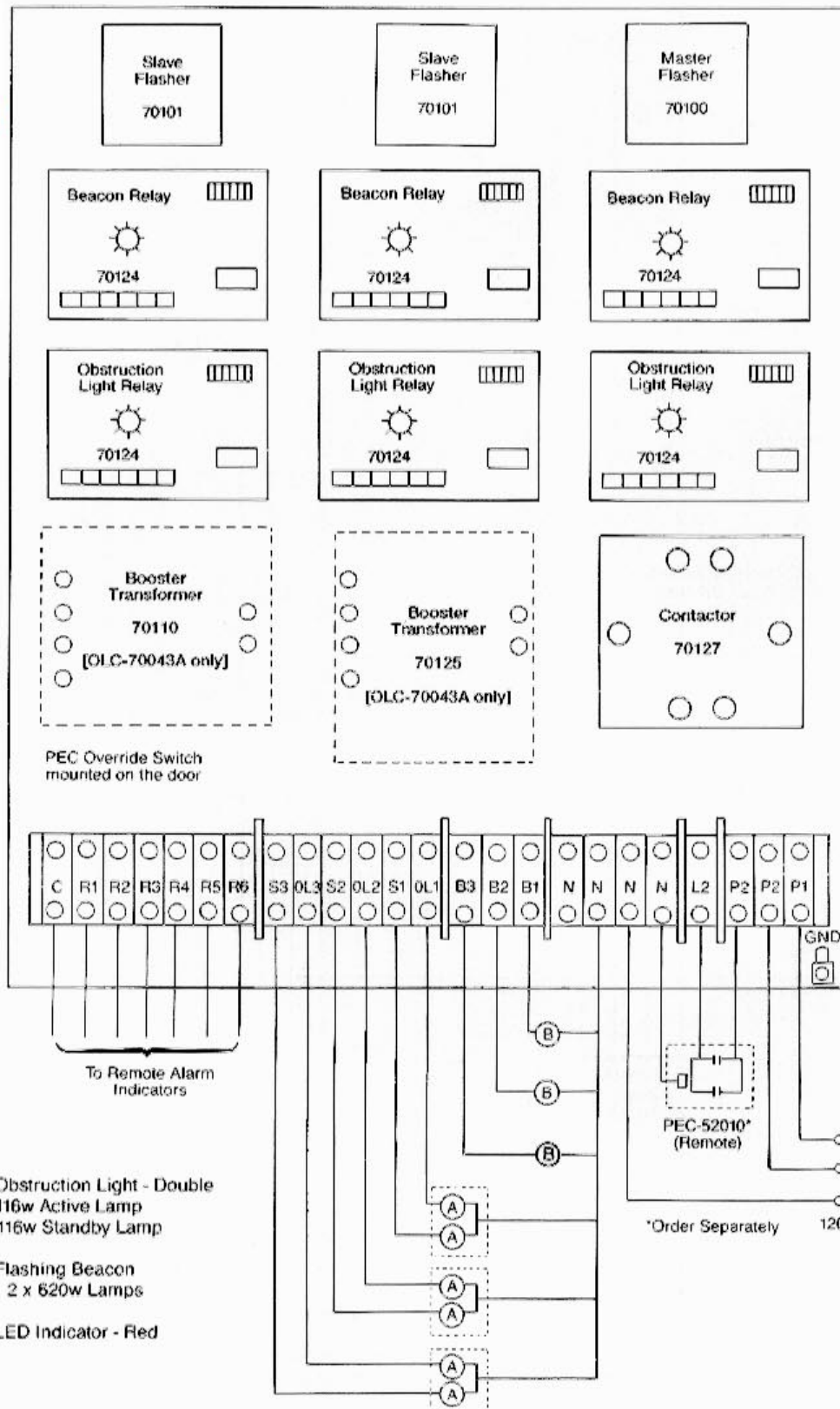
**OLC-70002A**



Enclosure: NEMA 3R Hoffman Brand A-20R166HCH  
 Height = 20 (508)    Width = 16 (406)    Depth = 6 (152)

**Wiring Diagram**

**OLC-70042A**  
**OLC-70043A**



- (A) = Obstruction Light - Double  
 = 116w Active Lamp  
 = 116w Standby Lamp
- (B) = Flashing Beacon  
 = 2 x 620w Lamps
- ☀ = LED Indicator - Red

Enclosure: NEMA 4 Hoffman Brand A 20H20ALP  
 Height = 20 (508)    Width = 20 (508)    Depth = 6 (152)

	Dimensions: Inches (Millimeters)		Shipping Volume	
	Shipping Weight		cu.ft.	cu.m.
	lbs.	kg.		
70042A	22.0	10.0	2.0	.057
70043A	26.0	11.8	2.0	.057