



**CROUSE-HINDS
AIRPORT LIGHTING PRODUCTS**

**Compliances: FAA AC 70/7460-1
FCC Rules and Regulations
Canadian Standards Association (CSA)**

PEC

Applications

Ordering Information

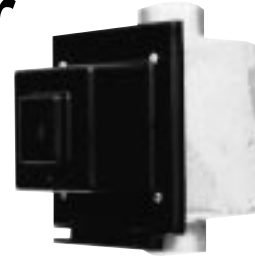
Features

Installation Drawing

Wiring Diagram

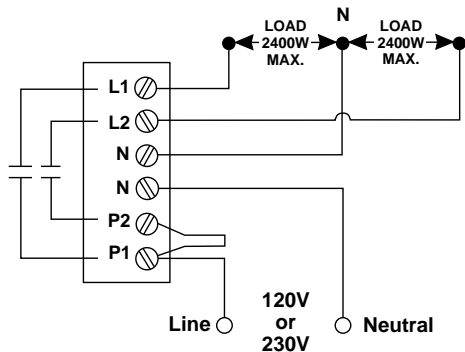


Photoelectric Controller



The PEC Photoelectric Controller automatically switches lighting circuits directly as a load contactor or indirectly through other lighting contactors or controllers.

- Meets FAA and FCC Requirements
- Two 20 Ampere Load Contacts
- Maximum of 2,400 Watts Load per Contact
- Surge Protection
- LED Power Indicator
- Cast Aluminum Box
- Solid-State Circuitry for high reliability
- Light Actuation:
 - Energizes at 35 foot candles
 - Deenergizes at 60 foot candles
- Each contact may directly switch a load, activate an OLA Lighting Contactor, or activate an OLC Controller
- Operates on 60 or 50 Hz Frequency Power
- Front housing hooks onto lower edge of the aluminum box for easy installation
- Screw Terminals for 8 AWG wire
- Voltage tolerance $\pm 20\%$



Two Wire Service with Split Loads

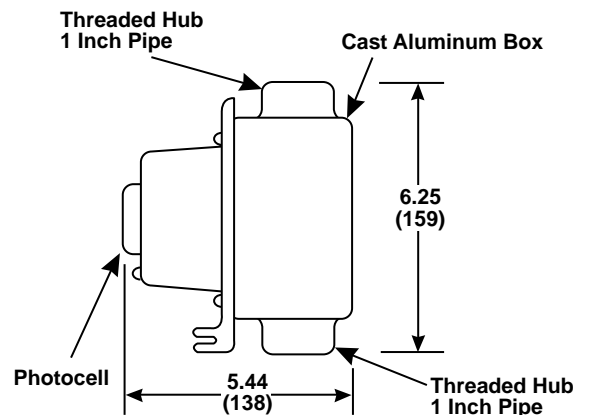
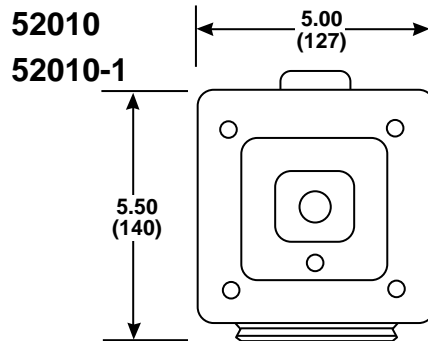
Note: For a combination photoelectric controller and flasher in the same housing as the PEC, order PCF-70006 for 120 Volt operation or PCF-70206 for 220 Volt operation.

National Stock Number (NSN):
PEC-52010 6210-00-443-4662

Catalog Number	Voltage*
52010	120
52010-1	230
70061**	120
70261**	230

* Voltages are line to neutral. The 230 Volt units are typically for 220-240 Volt operation.

** Enclosure is rated for hazardous atmospheres per NEC Class I, Division 2; Class II; Class III. See Parts Guide Sheet OP-3.6 for details.



Dimensions:	Inches	Millimeters
Shipping Weight:	5.0 lbs.	2.3 kg.
Shipping Volume:	0.3 cu.ft.	.008 cu.m.

OLF

**CROUSE-HINDS
AIRPORT LIGHTING PRODUCTS**

**Compliances: FAA AC 70/7460-1
FCC Rules and Regulations**

OLF

Applications

Ordering Information

Features

Installation Drawings 70008 & 70009

Wiring Diagrams



Obstruction Lighting Flasher

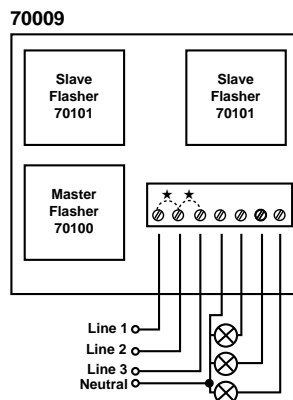
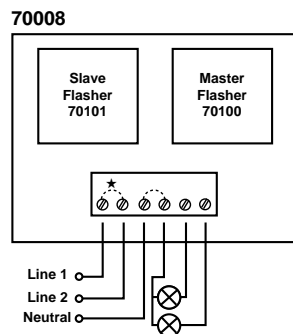
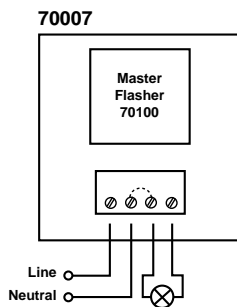
The OLF flasher provides the flashing function for FCB beacons, obstruction lights, or other incandescent lamp loads. For TSS-24 conversion kits, see page JT-5.2.

- Meets FAA and FCC Requirements
- Solid-State Components for reliability
- Each flasher circuit operates up to 2,000 Watts of lamp load or as low as a single obstruction light
- Automatic Operation using a PEC photoelectric controller to directly switch the 1-circuit and 2-circuit OLF's and to activate an OLA Lighting Contactor to switch the 3-circuit OLF.
- Cast Aluminum Housing with one inch threaded hub at top and bottom (1-circuit OLF)
- Rain-tight NEMA 3R Box with bottom knockouts (2-circuit and 3-circuit OLF's)
- Operates on 60 or 50 Hz frequency power
- Voltage tolerance $\pm 15\%$
- Optional NEMA 4 Enclosure (-N4)
- Optional RF Suppression for hot AM towers (-RF)

Catalog Number	Voltage*	Number of Outputs
70007	120	1
70008	120	2
70009	120	3
70060**	120	1
70207	230	1
70208	230	2
70209	230	3
70260**	230	1

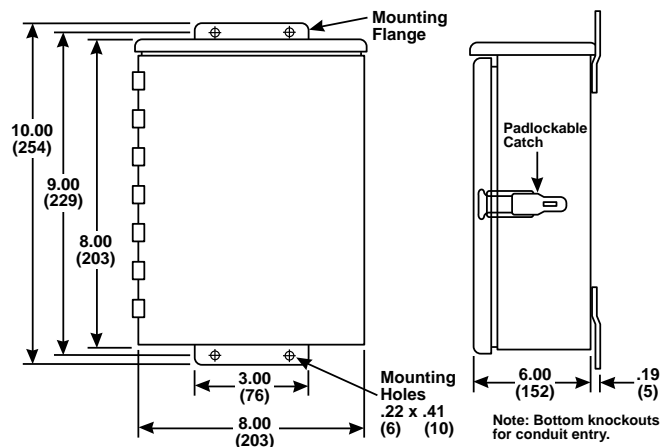
* Voltages are line to neutral. The 230 Volt units are typically for 220-240 Volt operation.

** Enclosure is rated for hazardous atmospheres per NEC Class I, Division 2; Class II; Class III. See Parts Guide Sheet OP-3.5 for details.



⊗ FCB Beacon with two 620W lamps or any incandescent lamp load totaling 2,000W or less.

★ If the supply is 120V, 2 wires, wire the terminals as shown and connect the power to Line 1 and Neutral.



Dimensions: Inches (Millimeters)		70007	70008
Shipping Weight:		8.0 lbs. 3.6 kg.	10.0 lbs. 4.5 kg.
Shipping Volume:		0.5 cu.ft. .014 cu.m.	1.0 cu.ft. .028 cu.m.