

RCLI/TDZI



Runway Centerline Light or Touchdown Zone Light – ICAO

Compliances: ICAO Annex 14: Fig. 2.5, 2.6 and 2.7
Transport Canada Specification K 271: Fig B5 and B8

Applications

The RCLI/TDZI light does double duty as a runway centerline light and touchdown zone light. The RCLI is a bidirectional light, typically clear/clear or clear/red, with two 45 W lamps. The TDZI is a clear unidirectional light, with a 45 W lamp. RCLI /TDZI may be used for any category ICAO, or military runway.

FAA Type:

Fixture Type:

A = Runway centerline light
B = Touchdown zone light

Color:

CC = Clear/Clear (850A3)
CR = Clear/Red (850A3)
C = Clear (850B3)
CX = Clear/Blank (850B3)*

8-Inch Diameter ICAO Fixture:

L-823 Plug Connection:

P1 = One plug
P2 = Two plugs (850A3 only)

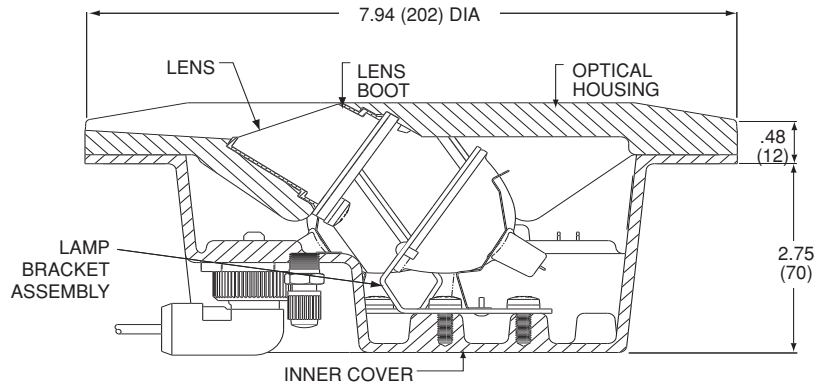
Beam Orientation (850B3 only):

L = Left Toe-in
R = Right Toe-in
S = Straight

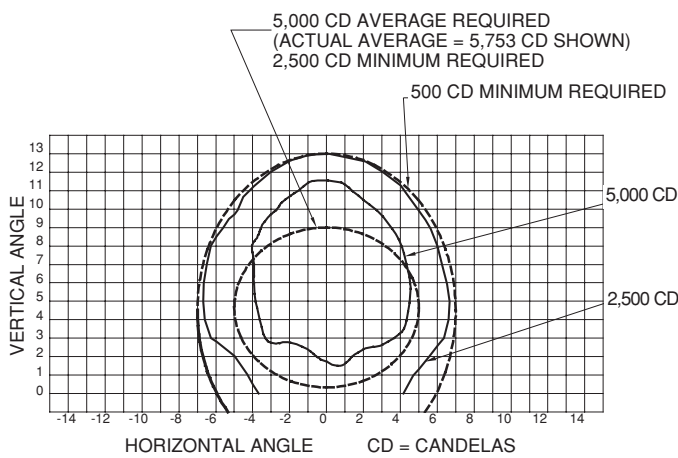
* Blank color units will have a threaded plug installed (blank is not considered a color).

Outline Drawing:

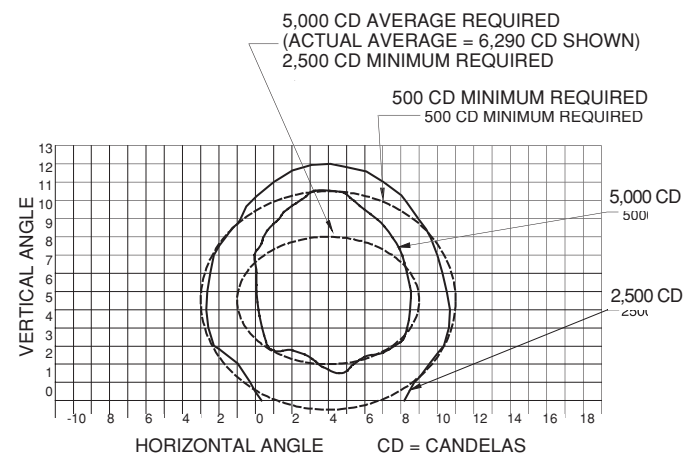
Dimensions: Inches (Millimeters)	
Instruction Manual:	2003
Shipping Weight:	5.0 lbs 2.3 kg
Shipping Volume:	0.7 cu ft 0.02 m ³



Typical Photometric Data:



Runway Centerline Light (Fig. 2.7)



Touchdown Zone Light (Fig. 2.5)

Accessories

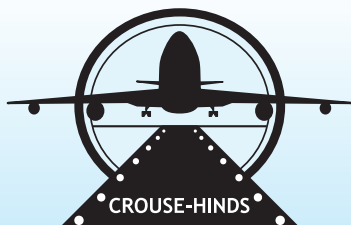
Catalog Number	Item Description	Catalog Number	Item Description
21136-1	Shallow Base – One Connector	823KP-D4-D4	Connector Kit – L-823, 8 AWG, .32" to .43" O.D.
21136-2	Shallow Base – Two Connectors	10047-2154	Heat Shrink Kit – 1 Piece
33001	Isolation Transformer – 45 W, 6.6/6.6 A	10047-1425	Heat Shrink Kit – 2 Piece
33004	Isolation Transformer – 100 W, 6.6/6.6 A		
33005	Isolation Transformer – 100 W, 20/6.6 A		

Renewal Parts

Part Number	Description	Part Number	Description
21116	Lamp – 48 W, 6.6 A	21121	Feed-through Assembly – 2 Lamp, 1 Connector
21126-C*	Lens Replacement Kit – Clear	21122	Feed-through Assembly – 1 Lamp, 1 Connector
21126-R**	Lens Replacement Kit – Red	10048-25	Gasket Lubricant – 5.3 oz Container
21124	Gasket – Bottom Cover		

* Includes 21102-C lens, 21103 lens boot, 21101 lens retaining gasket, 21143 blank gasket and gasket lubricant.

** Includes 21102-R lens, 21103 lens boot, 21101 lens retaining gasket, 21143 blank gasket and gasket lubricant.



For more information

**CROUSE-HINDS
AIRPORT LIGHTING PRODUCTS**
1200 Kennedy Road
Windsor, CT 06095
USA
TEL: (860) 683-4300
FAX: (860) 683-4354
WEBSITE: www.chalp.com

**CROUSE-HINDS
AIRPORT LIGHTING PRODUCTS**
5925 McLaughlin Road
Mississauga, Ontario
CANADA L5R 1B8
TEL: (905) 507-4187
FAX: (800) 263-9504