

# Constant Current Regulators-Wet

**Compliances:** FAA AC 150/5345-10: L-828 and L-829  
ICAO Aerodrome Design Manual, Part 5  
USAF Regulation AFM 32-1076  
USN NAVAIR 51-50AAA-2




**REGW**

## Applications

The REGW Constant Current Regulator is designed to provide precision control of runway lighting circuits. The equipment can be supplied with a wide range of control and monitoring options.

These regulators are oil cooled and designed for indoor service.

## Features

- ETL Certified 
- Oil cooled
- Advanced CH-III control system
- Shunt type ferro-resonant regulator
- Elapsed Time Indicator: each step and total
- Built-in digital ammeter (0.5% accuracy)
- Regulation  $\pm 1\%$  over 0 to 100% load and +10% to -5% line voltage with no tap changes
- On-off switching under load
- Superior Lighting and transient protection: input and output lines
- Efficiency — 90% minimum
- High power factor
- Remote reset capability
- Output current maintained with 30% open isolation transformer secondaries
- Open circuit protection
- Over current protection
- Compatibility of Multiple Options
- Soft On/Off
- Integral L-829 Monitoring
- 10,000 feet remote control @ 120V
- Temperature  $-40^{\circ}\text{C}$  to  $+55^{\circ}\text{C}$
- Plug-in printed circuit boards
- Control module and circuit board compatibility\*\*\* with dry CCR's (Refer to ET-6.5 and ET-6.9)
- Separate High Voltage compartment

## Ordering Information



**FAA Specification:**  
828 = L-828  
829 = L-829

**Frequency:**  
50 = 50 Hz  
60 = 60 Hz

**W = Wet Type:** Oil Cooled

**Kilowatt Rating:**  
11 = 10 kw  
15 = 15 kw  
20 = 20 kw  
30 = 30 kw  
37 = 37.5 kw (60 Hz Only)  
50 = 50 kw  
70 = 70 kw (60Hz Only) (FAA Approval pending)

**Input Voltage:\***  
1 = 208 (Not Available above 30 kw)  
2 = 220 (Not Available above 30 kw)  
3 = 230 (Not Available above 30 kw)  
4 = 240 (Not Available above 30 kw, 50 Hz & 37.5 kw, 60 Hz)  
5 = 380  
6 = 400  
7 = 415  
8 = 480  
9 = 2400\*\*

**Output Current:**  
66 = 6.6A (Not Available above 30 kw)  
20 = 20A (Not Available under 20 kw)

**Output Brightness Steps:**  
01 = Fixed (Highest Step)  
03 = 3 Steps  
05 = 5 Steps

**Options:** See catalog page ET-6.11 for a complete list of options.

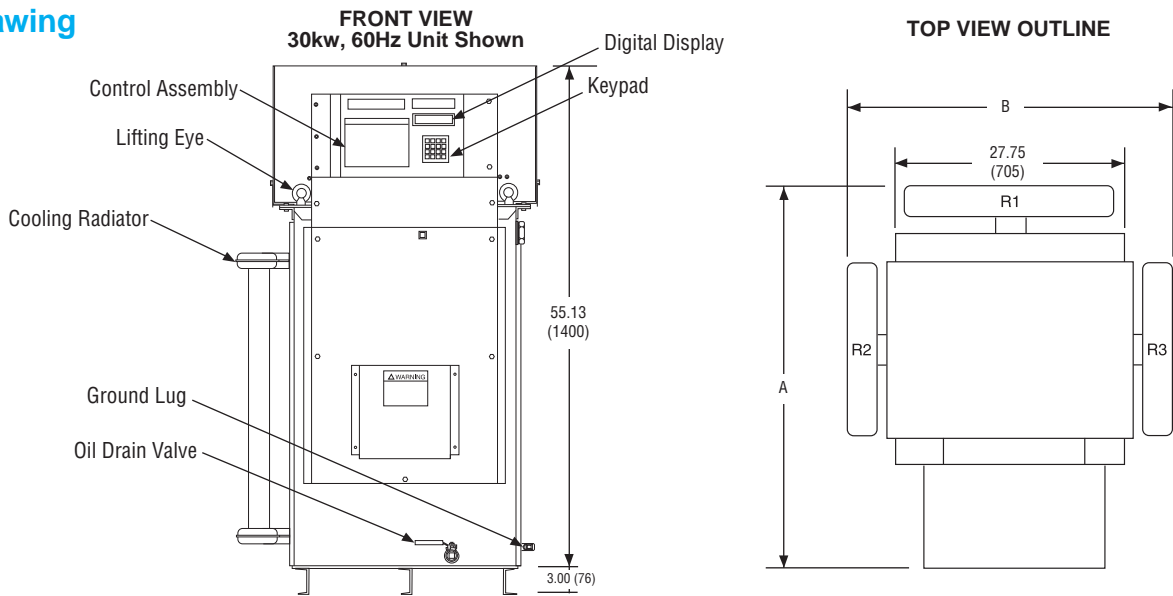
\* Voltage Availability

50 Hz only: 230, 380, 400, 415    60 Hz only: 480, 2400    50 or 60 Hz: 208, 220, 240

\*\* Wye system is standard with one-pole contactor. For Delta System see Option 94.

\*\*\* Field adjustments may be required.

# Outline Drawing



KW	Shipping Weight		Shipping Volume	
	Lb.	Kg.	Cu.Ft.	Cu.M.
10	1575	715	103	2.92
15	1700	770	103	2.92
20	1825	830	103	2.92
30	2000	910	103	2.92
50	2600	1180	103	2.92
70	3000	1360	103	2.92

Dimensions: Inches (Millimeters)

KW	A	B	Radiators		
			R1	R2	R3
10	38.36 (974)	27.75 (705)	—	—	—
15	43.19 (1097)	27.75 (705)	Yes	—	—
20	43.19 (1097)	27.75 (705)	Yes	—	—
30 60Hz only	43.19 (1097)	31.63 (803)	Yes	Yes	—
50	43.19 (1097)	38.25 (972)	Yes	Yes	Yes
70	49.19 (1249)	38.25 (972)	Yes	Yes	Yes

Note: 30kw, 50Hz and 37.5kw, use data as shown for 50kw.

## Technical Data

Instruction Manual: 9525

Brightness Step	Current Output		Percentage (%) Light Output
	6.6A System	20A System	
5	6.6	20.0	100.0
4	5.2	15.8	20.0
3	4.1	12.4	4.0
2	3.4	10.3	0.8
1	2.8	8.5	0.2

## Renewal Parts

Part Number	Description
32323-"X"- "Y"	L-828 Control Assembly
32323-"X"- "Y"-61	L829 Control Assembly
Insert 1, 3, or 5 in place of "X" for the number of brightness steps required.	
Insert 1 for 6, 6A or 2 for 20A in place of "Y" for the output current required.	
10047-1005	Fuse, 1/8 Amp, Slo-Blo
10047-1205	Fuse, 1 Amp, Slo-Blo
31505-1	SCR/Heatsink Assembly, 10-20KW
31505-2	SCR/Heatsink Assembly, 30-70KW



**CROUSE-HINDS**  
AIRPORT LIGHTING  
PRODUCTS

### For more information

**CROUSE-HINDS**  
**AIRPORT LIGHTING PRODUCTS**  
1200 Kennedy Road  
Windsor, CT 06095  
USA  
TEL: (860) 683-4300  
FAX: (860) 683-4354  
WEBSITE: www.chalp.com

**CROUSE-HINDS**  
**AIRPORT LIGHTING PRODUCTS**  
5925 McLaughlin Road  
Mississauga, Ontario  
CANADA L5R 1B8  
TEL: (905) 507-4187  
FAX: (800) 263-9504