



Switchhitter™ Touchdown Zone Light

Compliances: FAA AC 150/5345-46: L-850B
ICAO Annex 14
USAF Regulation 88-14
USN NAVAIR 51-50AAA-2
NATO STANAG 3316
Transport Canada Specification K271



STDZ

Applications

Known as the Switchhitter™, the STDZ is a runway touchdown zone light that does double duty as a runway centerline light. The STDZ is a clear unidirectional light with a 62 watt lamp. It may be used for any category FAA, ICAO, or military runway.

Features

- FAA Approved
- ETL Certified
- One Piece Casting
- Resists Snow Plow Damage
- Low Wattage Lamps
- Parts Commonality with SRCL Light
- Few Parts to Stock
- Beam Orientation can be easily changed
- May be used as a unidirectional Runway Centerline Light
- Optional Nickel-Molybdenum Alloy Casting: Exceeds the tensile strength of ductile iron.
- Optional Metallic-Ceramic Coating for increased corrosion resistance

Ordering Information

How to Order: Choose the correct lead configuration based on the installation. Add the color and options, if any, to complete the catalog number. Lamp is included. Order the light base separately.

Example: 20581P-C-S-NM is a unidirectional clear touchdown zone light with one 62 watt lamp. It mounts on an 11.25 inch bolt circle light base and plugs into a 65 watt isolation transformer. This STDZ light has a special high strength casting of nickel-molybdenum alloy.

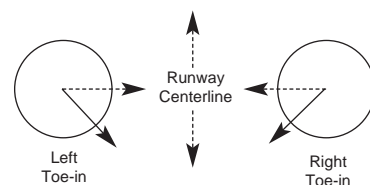


Basic Number: _____
1 x 62 Watt Lamp, Clear

Beam Orientation:* _____
L = Left Toe-in
R = Right Toe-in
S = Straight

Options: _____
NM = High Strength Casting Nickel-Molybdenum
CR = Corrosion Resistant Coating

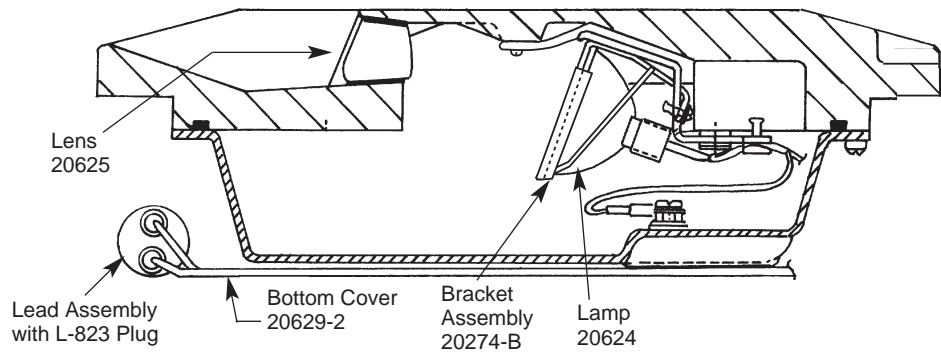
* The beam orientation can be changed in the field.



Outline Drawing

STDZ-20581P

Dimensions: Inches (Millimeters)	
Instruction Manual:	8409
Shipping Weight:	32.0 lbs. 14.5 kg
Shipping Volume:	0.7 cu. ft. 0.02 cu.m.



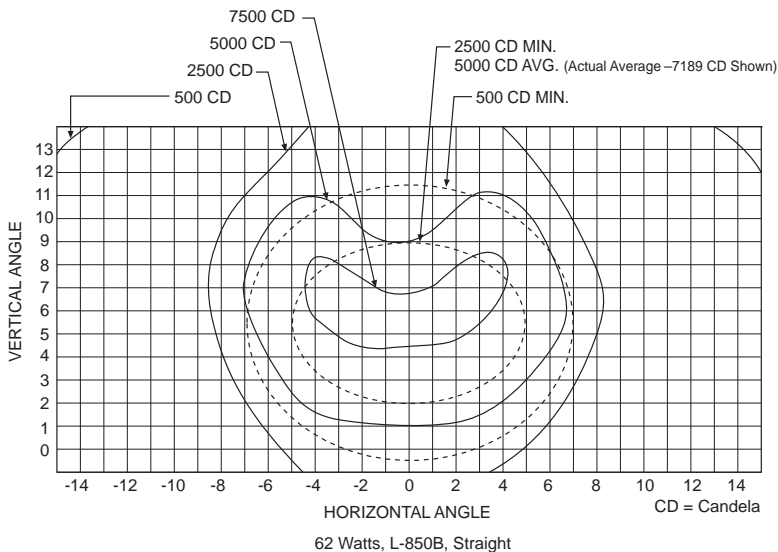
Accessories

Catalog Number	Item Description	Shipping Weight		Shipping Volume	
		lb.	kg.	cu. ft.	cu. m.
900128-B-16-DF	Base: L-868B, Class II, 16" Deep	30.0	13.6	2.2	.062
AC24242H200003*	Base: L-868B, Class I, 24" Deep	63.0	28.6	2.5	.070
20453**	Base: Shallow, Size B	39.0	17.7	1.0	.028
33003	Transformer L-830-3, 65 watts, 6.6/6.6A	9.0	4.1	0.2	.006
10048-93A/C	Setting material for Class II Base, 50 lb. bag	50.0	22.7	2.0	.112
823KP-D4-D4	Connector Kit L-823, 8 AWG, .32" to .43" O.D.				
10047-1425	Heat Shrink Kit				

* Sectional bases may be required depending upon the paving technique.

** Recommended shallow base.

Photometric Data



Renewal Parts

Part Number	Description
20624	Lamp 62w, 6.6A
20274-B	Short Bracket Assembly
10035-33-270	O-Ring, Bottom Cover
10035-33-010	O-Ring, Cover Feed-Thru
20625	Lens
20629-2	Bottom Cover Assembly (1 Plug)
20595	Lead Assembly
10048-25	Silicone Grease 5.3 oz.

For more information

COOPER Crouse-Hinds

**CROUSE-HINDS
AIRPORT LIGHTING PRODUCTS**
1200 Kennedy Road
Windsor, CT 06095 USA
TEL: (860) 683-4300
FAX: (860) 683-4354

**CROUSE-HINDS
AIRPORT LIGHTING PRODUCTS**
5925 McLaughlin Road
Mississauga, Ontario
CANADA L5R 1B8
TEL: (905) 507-4187
FAX: (800) 263-9504

**CROUSE-HINDS
AIRPORT LIGHTING
PRODUCTS**