



Taxiway Centerline Light

Accessories

Catalog Number	Item Description	Shipping Weight		Shipping Volume	
		Lb.	Kg.	Cu.Ft.	Cu.M.
900128-B	Non-steel Base L-868, Size B (Type 4)	30.0	13.6	2.2	.062
2424	Steel Base L-868, Size B* (Type 4)	63.0	28.6	2.5	.070
20452-S234	Cast Iron Shallow Base, Size B (Type 4), Tapered Sides	39.0	17.7	1.0	.028
20045-4	Cast Iron Shallow Base, Size B (Type 4)	22.0	10.0	0.7	.020
1543	Steel Base L-868, Size A* (Type 3)	42.0	19.0	2.0	.112
33001	Transformer L-830-1, 45 watts, 6.6/6.6A	8.0	3.6	0.2	.006
33003	Transformer L-830-3, 65 watts, 6.6/6.6A	9.0	4.1	0.2	.006
823KP-D4-D4	Connector Kit L-823, 8 AWG, .32" to .43" O.D.				
10047-1425	Heat Shrink Kit				

* Sectional bases may be required depending upon the paving technique.

Renewal Parts

Part Number	Description	Part Number	Description
10000-75	Screw, Optical Cartridge	19848	Screw, Black Oxide (1/4-20 x 1 3/8 lg.)
19241	Gasket, Optical Cartridge	20033-2	Bolt for Type 2 Base
18477	Lead Assembly - Type 1	19009-1	Shallow Base - Type 2
19882	Lead Assembly - Type 2	19317	*Filter, Blank
19313	Lead/Plug Assembly - Types 3, 4		

* For Color Filters selection see Filter chart below.

Color Filters

Optical Assembly	Green	Yellow	Red	Blue
85204-1; -2; -7	20654-G	20654-Y	20654-R**	—
85204-4; -8; -9; -10	20520-G	20654-Y	—	—
Special Application	—	—	20907-R***	20654-B***
Special Application	—	—	20520-R****	—

** For ICAO Stop Bar Light only

*** Absorption Filter (Low transmission ratio)

**** Dichroic Filter (High transmission ratio)

For more information



**CROUSE-HINDS
AIRPORT LIGHTING PRODUCTS**
1200 Kennedy Road
Windsor, CT 06095 USA
TEL: (860) 683-4300
FAX: (860) 683-4354

**CROUSE-HINDS
AIRPORT LIGHTING PRODUCTS**
5925 McLaughlin Road
Mississauga, Ontario
CANADA L5R 1B8
TEL: (905) 507-4187
FAX: (905) 501-4078

**CROUSE-HINDS
AIRPORT LIGHTING
PRODUCTS**



Taxiway Centerline Light

Compliances: FAA AC 150/5345-46: L-852
ICAO Annex 14, Appendix 2
U.S. Air Force AFR 88-14
U.S. Navy NAVAIR 51-50AAA-2
NATO STANAG 3316, ANNEX C2-B



(Class 2, 12" Dia. Shown)

Applications

The TCL is a taxiway centerline light that is used to guide aircraft between the runway and the parking stand. The TCL is often bidirectional, but may be unidirectional on certain taxiways such as high speed turnoffs. The single lamp is either 45 or 65 watts.

Ordering Information

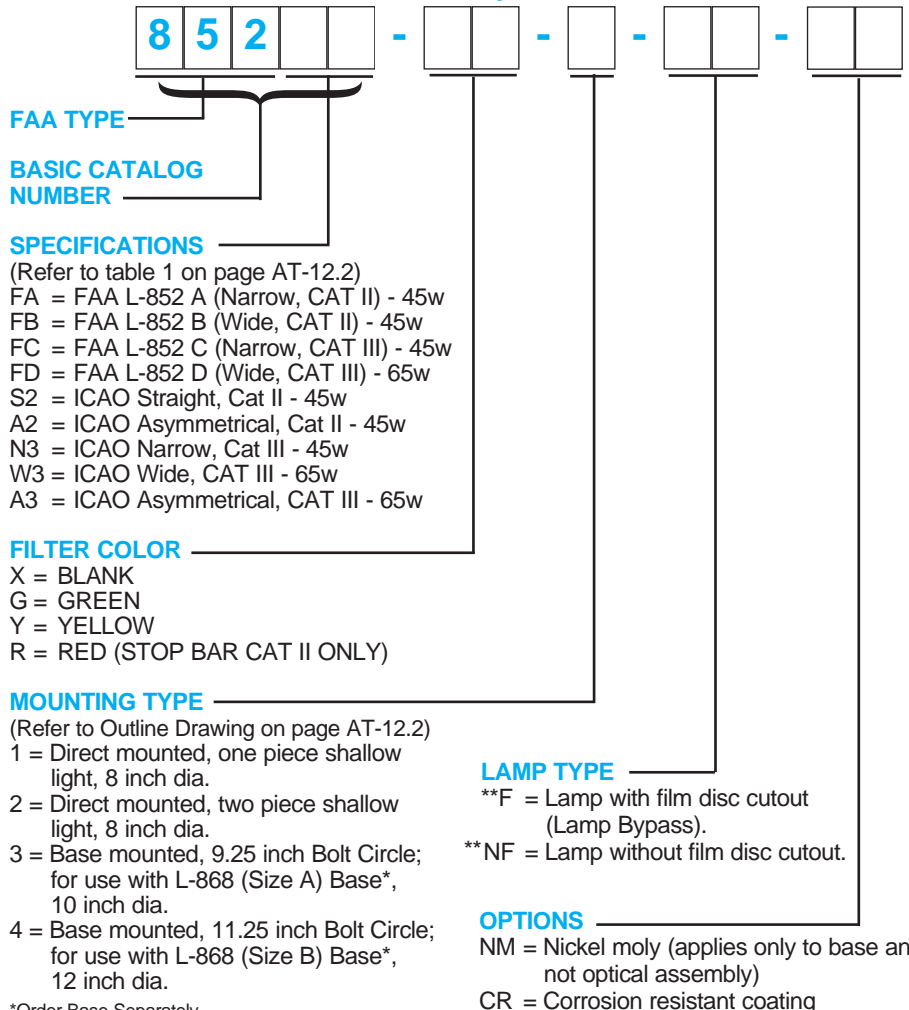
How to Order: Select the basic catalog number to meet the desired FAA or ICAO application. Add the colors, mounting type, lamp type and options (if any) for complete fixture part number. The lamp is included with each TCL Fixture.

Example: 852FA-GX-4-F is a FAA L-852A (Narrow Beam, Cat II) taxiway centerline unidirectional light. (It has one green beam and one side blank making it unidirectional.) This TCL is a Type 4 mounting on a Base with an 11.25 inch Bolt Circle. The lamp with film disc cutout is furnished with this fixture.

Features

- FAA approved L-852
- Complies with ICAO Annex 14 recommendations
- Removable optical cartridge
- Variety of mounting choices
- Photometric performance for applications: wide selection of beam spread and lamp combinations
- Optional nickel-molybdenum alloy casting: about two times the tensile strength of ductile iron
- Optional metallic-ceramic coating for greatly increased corrosion resistance

Part Number Explanation

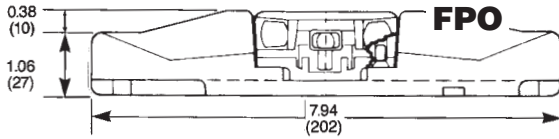


*Order Base Separately
 **Must specify either "F" or "NF"

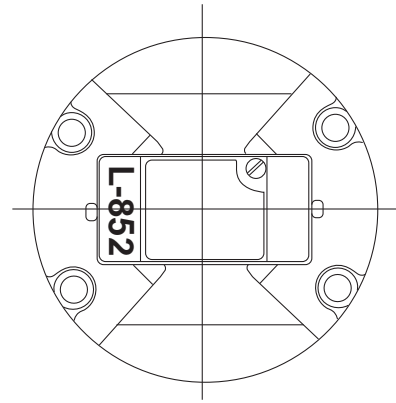
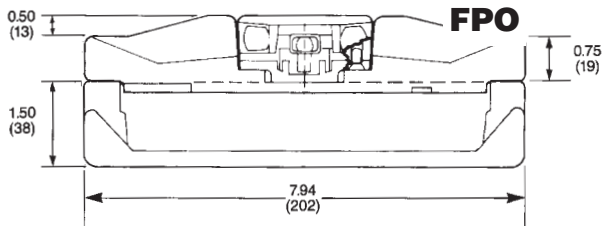
Outline Drawing

CLASS 1 DIRECT MOUNTED FIXTURES

Mounting Type-1 (One piece shallow light)



Mounting Type-2 (Two piece shallow light)



Direct Mounted Fixture, Mounting Type-2 Shown

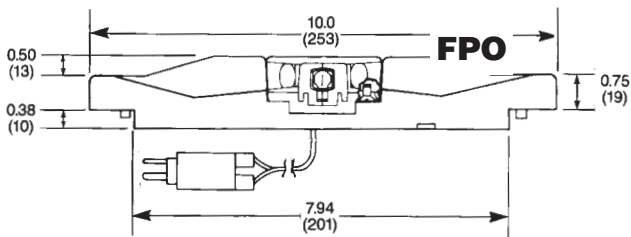
Dimensions: Inches (Millimeters)

Instruction Manual: 9100

	TYPE-1	TYPE-2	TYPE-3	TYPE-4
Shipping lbs.	12.0	18.3	16.0	25.0
Weight kg.	5.4	8.3	7.3	11.4
Shipping cu.ft.	0.12	0.15	0.22	0.25
Volume cu.m.	.003	.004	.006	.007

CLASS 2 BASE MOUNTED FIXTURES

Mounting Type-3



Mounting Type-4

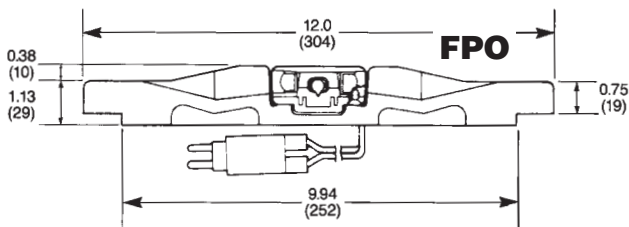


Table 1

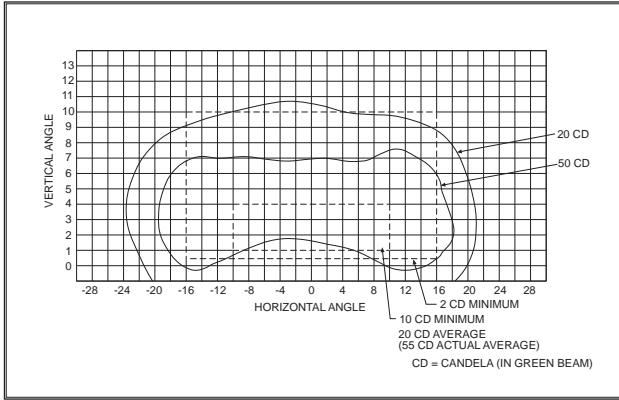
Light Assembly Part No.	Optical Assembly Part No.**	Lamp Watts (Ref)	Lamp Assembly*
852FA-XX-X-XX	85204-1	45	19464
852FB-XX-X-XX	85204-2	45	19868
852FC-XX-X-XX	85204-8	45	19464
852FD-XX-X-XX	85204-4	65	20927
852S2-XX-X-XX	85204-1	45	19464
852A2-XX-X-XX	85204-7	45	19464
852N3-XX-X-XX	85204-8	45	19464
852W3-XX-X-XX	85204-9	65	19484
852A3-XX-X-XX	85204-10	65	19484

*Add "-F" or "-NF" for lamp type.

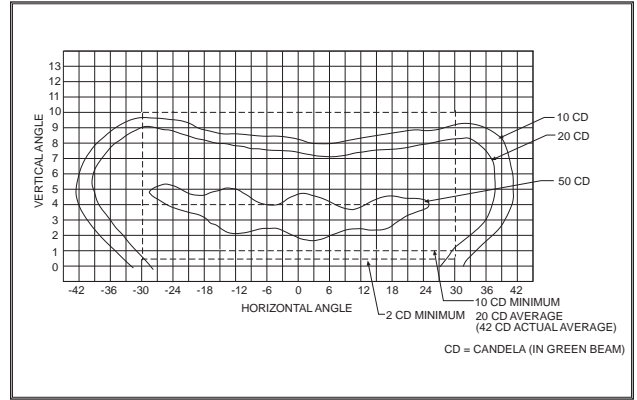
**Add filter colors, lamp type and options (if any).

TCL Taxiway Centerline Light

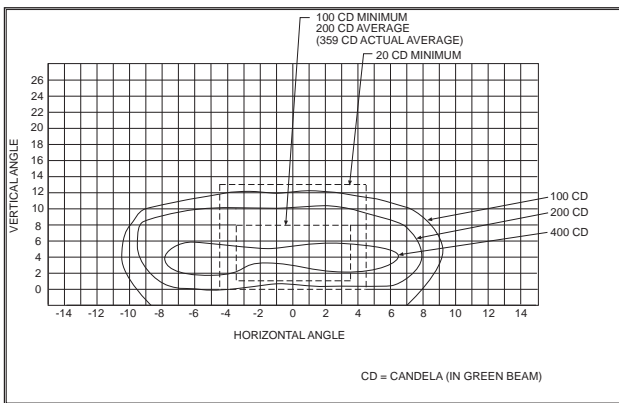
Technical Data



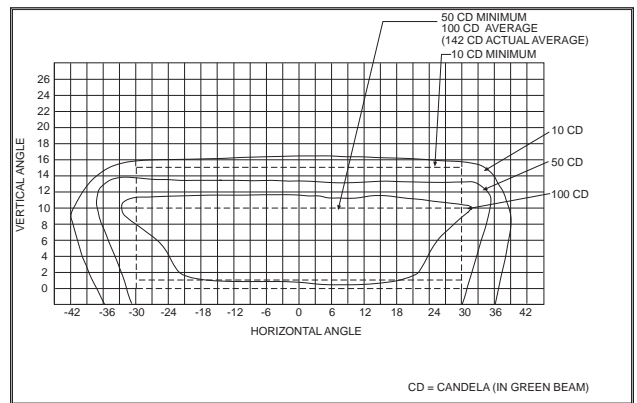
45 Watts, FAA L-852A Narrow (Straight Section)
CAT I & II



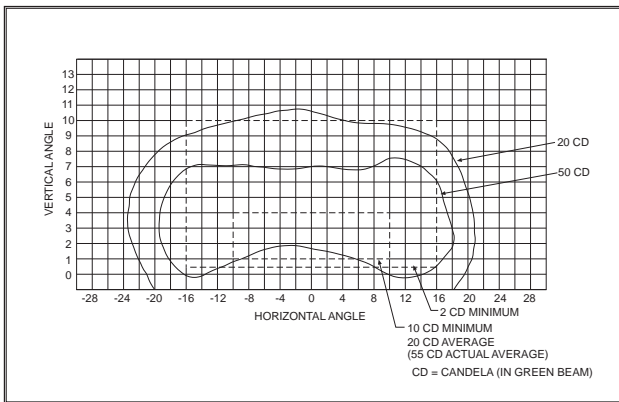
45 Watts, FAA L-852B Wide (Curved Section)
CAT I & II



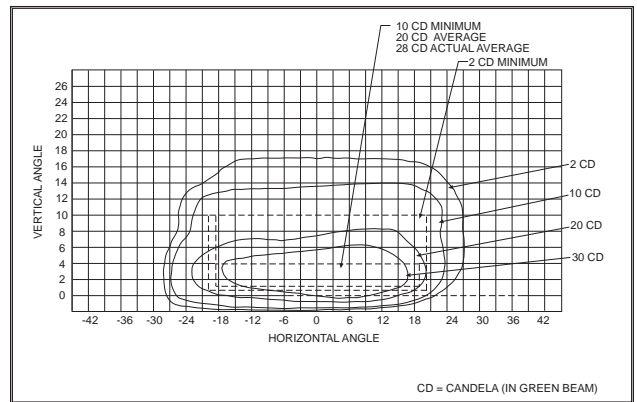
45 Watts, FAA L-852C Narrow (Straight Section), CAT III
852N3, ICAO, Narrow, CAT III



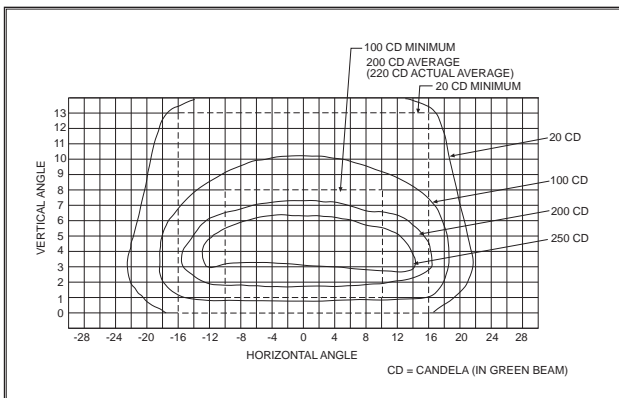
65 Watts, FAA L-852D Wide (Curved Section)
CAT III



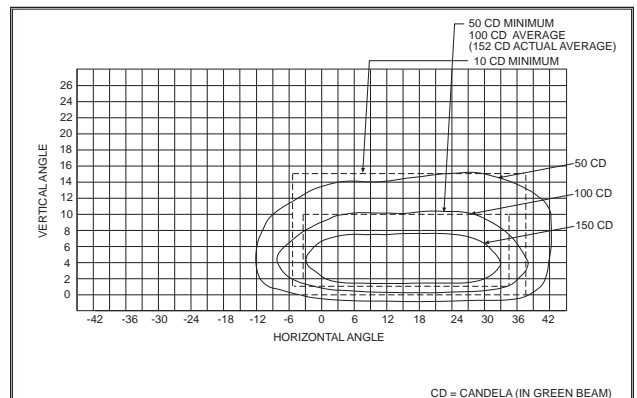
45 Watts, 852S2, ICAO Straight
CAT II



45 Watts, 852A2, ICAO Asymmetrical
CAT II



65 Watts, 852W3, ICAO Wide
CAT III



65 Watts, 852A3, ICAO Asymmetrical
CAT III