

Taxiway Reflective Marker

Compliances: FAA AC 150/5345-39: L-853
 NASAO Guidelines
 Military Specification MIL-R-7264C
 Federal Specification L-S-300A



TRM

Applications

TRM tubular retroreflective markers are used to mark the edges of taxiways and ramps at airports and heliports. They are particularly useful for taxiways with centerline lights that do not have edge lights. For all airports, TRM markers provide daytime delineation of the operational areas. Therefore, they are often used to supplement edge lighting systems. Any consistently applied color scheme is permissible but colors are usually selected based on the adjacent lighting.

Features

- FAA approved*
- Inexpensive
Low initial cost, easy to install, no wiring, requires no power and practically maintenance free.
- Durable
Both the post and the reflectors remain flexible at temperature extremes.
- Highly Visible
Brilliant tube colors provide 360° daytime visibility, high intensity reflectors provide 360° nighttime visibility.
- Safe
No damage to aircraft or vehicles if struck.
- Versatile
Unlimited applications.

Ordering Information

How to Order: The colors and height are selected based on the users preference. Three or four bands are recommended. Select the base type after reviewing the diagrams on page GT-5.4.



FAA Type:* _____

Mounting Base: _____

- SP = Surface Mount Pin Lock Base
- ST = Surface Mount Twist Lock Base
- CO = Concrete Open End Anchor 8 inches
- SC = Soil Closed End Anchor 18 inches
- SO = Soil Open End Anchor 18 inches

Tube Height: _____
18, 24, 30, or 36 inches

Tube Color: _____

- B = Blue
- G = Green
- O = Orange
- R = Red
- Y = Yellow

Number of Bands:** _____
1, 2, 3, or 4

Band Color: _____

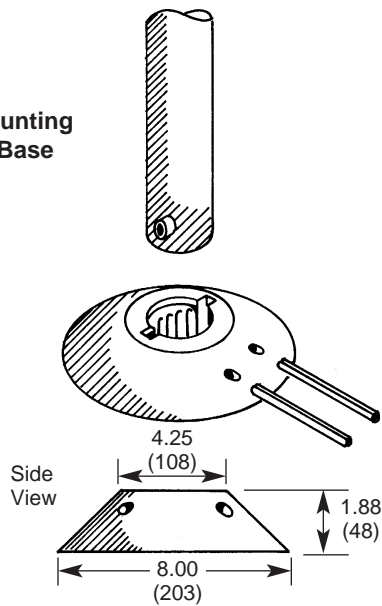
- B = Blue
- R = Red
- W = White
- Y = Yellow

* TRM Markers are by FAA approved manufacturer Safe-Hit Corporation.

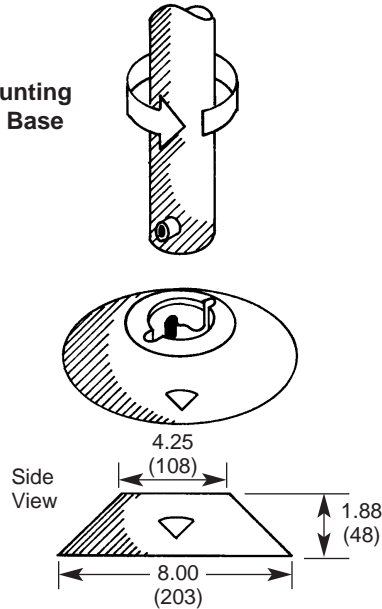
** The 18 inch markers will accept a maximum of three bands.

Installation Drawings

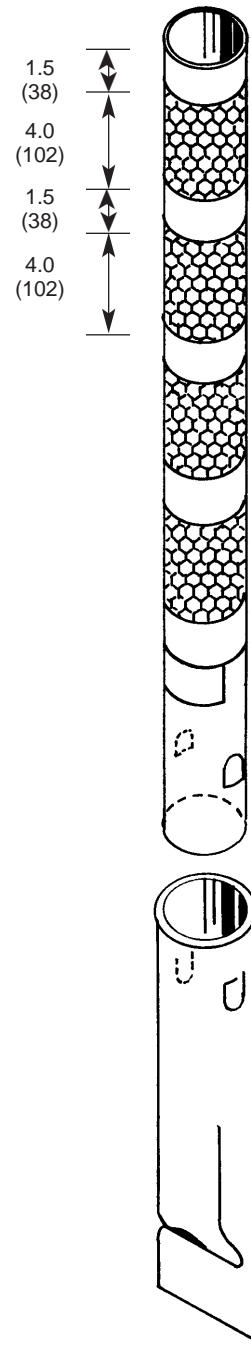
Surface Mounting Pin Lock Base



Surface Mounting Twist Lock Base



Soil Anchor Mounting



Renewal Parts

Part Number	Description
SHA1-08-GL	Concrete Open End Anchor 8 inches
SHA3-18-GL	Soil Closed End Anchor 18 inches
SHA4-180E-GL	Soil Open End Anchor 18 inches
SHSMA-1-BL	Surface Mount Pin Lock Base
SHSMT-1-BL	Surface Mount Twist Lock Base

Note: For replacement tube only, order complete catalog number from GT-5.4 and add -T at the end.

Dimensions:	Inches (Millimeters)
Shipping Weight:	3.0 lbs. 1.4 kg.
Shipping Volume:	0.2 cu.ft. .006 cu.m.

COOPER Crouse-Hinds

For more information

**CROUSE-HINDS
AIRPORT LIGHTING PRODUCTS**
1200 Kennedy Road
Windsor, CT 06095 USA
TEL: (860) 683-4300
FAX: (860) 683-4354

**CROUSE-HINDS
AIRPORT LIGHTING PRODUCTS**
5925 McLaughlin Road
Mississauga, Ontario
CANADA L5R 1B8
TEL: (905) 507-4187
FAX: (800) 263-9504

**CROUSE-HINDS
AIRPORT LIGHTING
PRODUCTS**