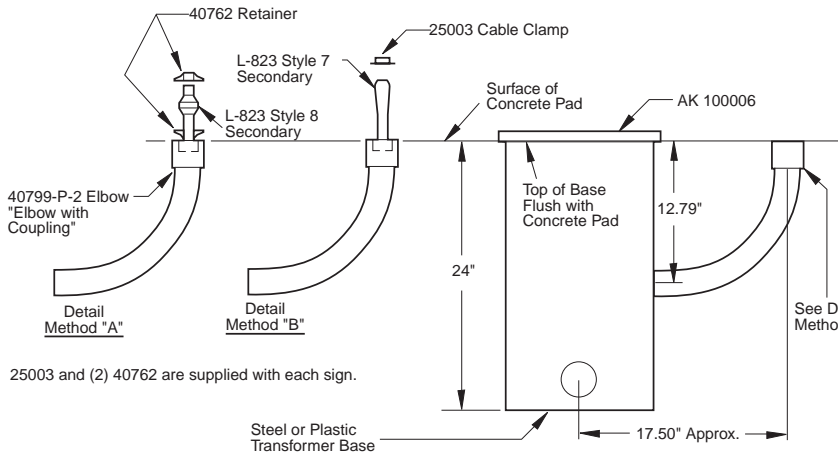
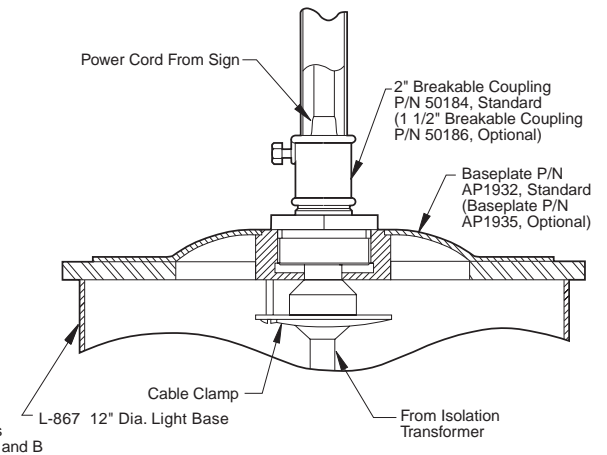


## Installation Details

### Elbow Mounting Power Feed Detail:



### Base Mounting Power Feed Detail:



## Accessories

Part Number	Description	Shipping Weight		Shipping Volume	
		Lbs.	Kg.	Cu. Ft.	Cu. M.
33004	Isolation Transformer 100 watts, 6.6/6.6A	12.0	5.4	0.4	0.011
33006	Isolation Transformer 200 watts, 6.6/6.6A	16.0	7.3	0.4	0.011
33010	Isolation Transformer 300 watts, 6.6/6.6A	23.0	10.4	0.6	0.017
AP1932	Baseplate, 2 inch Hub	8.0	3.6	0.14	0.004
AC21242HX00301	Base L-867, Class 1, 24 inches deep	52.0	23.6	2.6	0.074
AK100006	Blank Coverplate, 0.375 inches thick	5.0	2.3	0.13	0.004
900152	Base L-867, Class II (NON-METALLIC), 24 inches deep	16.0	7.3	2.6	0.074
10530287	Gasket for Coverplate				
823KP-D4-D4	Primary L-823 Connector Kit				
CAS1M-PR-B-2	*Secondary Cable Assembly, 2 meters				
60728-1	Tether				

\* Other lengths available.

## Renewal Parts

Part Number	Description
25684-1	Floor Flange
61062	Breakable Coupling: For Single Face Signs
61066	Breakable Coupling: For Double Face Signs
50184	Breakable Coupling: For Power Feed
50186	Breakable Coupling: For Power Feed, Optional
61106	Ballast (One Per Lamp)
10047-2523	*Fluorescent Lamp, 24"
10047-2524	*Fluorescent Lamp, 36"
10047-1573	*Fluorescent Lamp, 36"

\*Refer to Lamp cross-reference table on page FT-5.2.

## Shipping Weights and Volumes

Sign Cat. Number	Shipping Weight		Shipping Volume	
	Lbs.	Kg.	Cu. Ft.	Cu. M.
60915-4 or D	115	52	20	0.57
60915-6	140	64	30	0.85
60915-8	210	95	45	1.27
60915-10	235	107	55	1.56
60915-12	310	141	65	1.84
62055-4 or D	155	70	25	0.71
62055-6	205	93	35	0.99
62055-8	290	132	50	1.42
62055-10	370	168	60	1.70
62055-12	440	200	75	2.12

## For more information

**COOPER** Crouse-Hinds

**CROUSE-HINDS  
AIRPORT LIGHTING PRODUCTS**  
1200 Kennedy Road  
Windsor, CT 06095 USA  
TEL: (860) 683-4300  
FAX: (860) 683-4354

**CROUSE-HINDS  
AIRPORT LIGHTING PRODUCTS**  
5925 McLaughlin Road  
Mississauga, Ontario  
CANADA L5R 1B8  
TEL: (905) 507-4187  
FAX: (800) 263-9504

**CROUSE-HINDS  
AIRPORT LIGHTING  
PRODUCTS**

# Airside™ Guidance Sign Fiberglass

Compliances: **FAA AC 150/5345-44F: L-858**  
**USAF: AFR 88-14**



**AGSF**

## Applications

AGSF Signs are designed for use on airport runways to mark taxi routes and taxiways/runways intersections. Colors may be black on yellow, yellow on black, or white on red depending on the application as defined by the governing standards such as FAA AC 150/5340-18C.

## Features

- FAA Approved as Size 3, Class 1 sign
- One sign meets FAA styles 2\*, 3\*\*, and 5\*\*\*
- ETL Certified
- Power factor greater than 85% across all brightness steps
- Uses fluorescent long life lamp
- Internally illuminated
- Lamps commercially available
- Lexan® sign faces
- Externally mounted Ballast Assembly for easy maintenance
- External power disconnect switch allows safe maintenance by isolating sign from series circuit
- Lamp bypass circuit for Ballast protection
- Reinforced fiberglass housing
- Hinged sign face for easy relamping
- No tools needed to replace Lamps
- Electrical connection fits baseplate with 2" hub

## Ordering Information

**How to Order:** List the basic catalog number for single or double faced sign and add suffixes for sign length. Order isolation transformer, transformer housing, coverplate and gasket or baseplate separately.

The colors of the sign faces and the legends must be specified for each sign. Multiple messages and colors may appear on a single seamless sign face.



**Basic Catalog Number:**

60915 (Single Face)

62055 (Double Face)

**Sign Length:**

4 = 4 Feet, FAA Size 3 (42" high) sign.

6 = 6 Feet, FAA Size 3 (42" high) sign.

8 = 8 Feet, FAA Size 3 (42" high) sign.

10 = 10 Feet, FAA Size 3 (42" high) sign.

12 = 12 Feet, FAA Size 3 (42" high) sign.

D = 4 Foot, FAA Size 5 (42" high) Distance Marker (25" high numerals).

\*Powered by 3 steps (4.8 to 6.6A) circuit.

\*\*Powered by 5 steps (2.8 to 6.6A) circuit.

\*\*\*Powered by fixed step (5.5A) circuit.

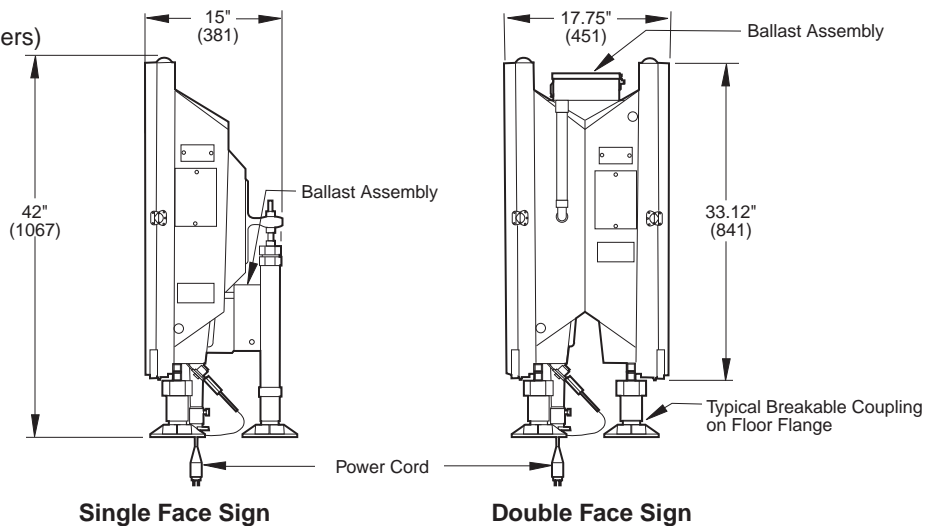
**Technical Data**  
Instruction Manual: 9424

**Airside™ Guidance Signs - Fiberglass (AGSF)  
Measured Load (VA) & Power Factor (PF)FT-5.2**

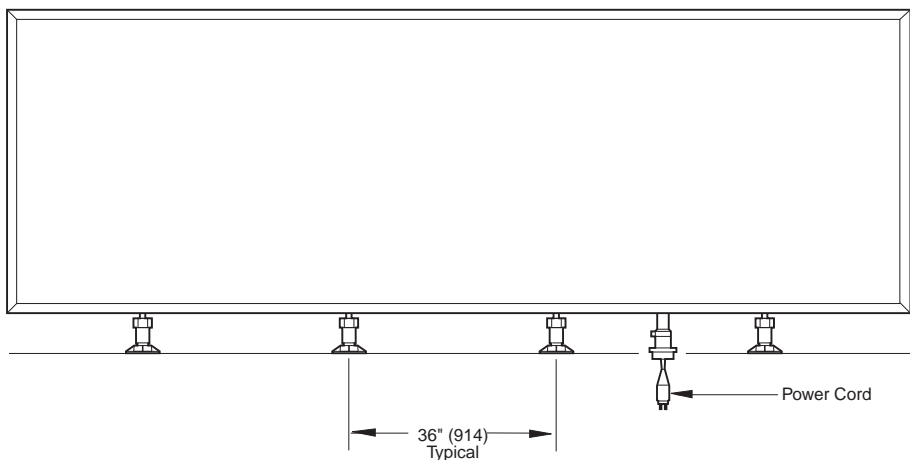
<b>Sign Catalog Number</b>	<b>Isolation Transformer</b>	<b>VA</b>	<b>PF</b>
60915-4	100 Watts	54	.85
60915-6	100 Watts	66	.87
60915-8	200 Watts	130	.85
60915-10	200 Watts	130	.85
60915-12	200 Watts	163	.88
62055-4	100 Watts	79	.87
62055-6	200 Watts	163	.88
62055-8	200 Watts	163	.88
62055-10	200 Watts	163	.88
62055-12	300 Watts	221	.85

**Dimensional Information**

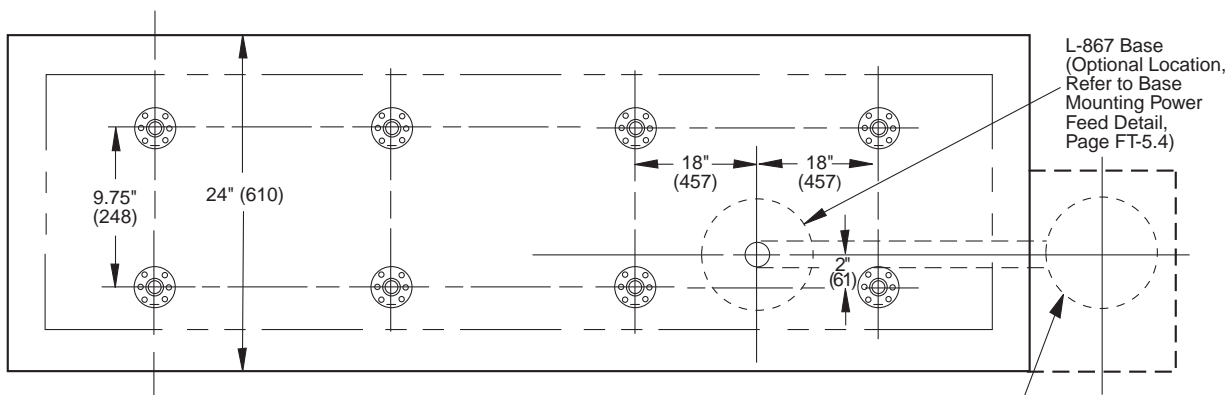
Dimensions: Inches (Millimeters)



**Typical Side View Outlines for 4, 6, 8, 10 and 12 Feet Signs**



**Front View Outline - 12 Feet Sign Shown**



**Foot Print Information**

(\*8 Legs are shown for 12 feet sign)

\*Use: 4 Legs Layout (from right to left) for 4 and 6 feet signs.  
6 Legs Layout (from right to left) for 8 and 10 feet signs.