

# Airport Rotating Beacon

Compliances: FAA AC 150/5345-12: L-801 & L-802  
ICAO Annex 14

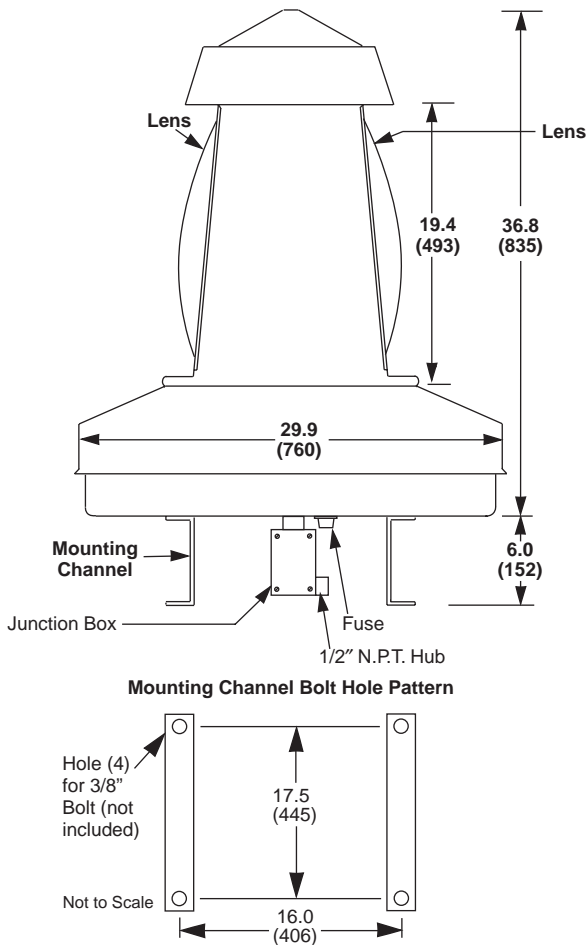


ARB

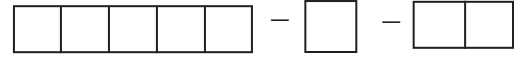
## Features

- ETL Certified 
- FAA Approved: L-801 400W  
L-802 1000W
- Metal Halide Lamp (included):  
400W for medium intensity beacons  
1000W for high intensity beacons
- Long Lamp Life
- No Lamp Changer
- Simple Design with few moving parts
- Light weight for easy handling

## Outline Drawing



## Ordering Information



**FAA Specification:**  
801 = L-801 Medium Intensity  
802 = L-802 High Intensity

**Application\*\*:**  
A = Airport: White/Green  
S = Seaplane: White/Yellow  
H = Heliport: White/Green/Yellow

**Class:**  
1 = 35°C  
2 = 55°C\*

**Power:**  
1 = 120V, 60Hz  
2 = 220V, 50Hz

**Options:**  
BC = Low-Angle Beam Cutoff 2°  
TR = Tell-Tale Relay with 250W Quartz Lamp  
WW = Two White Lenses  
WWG = Two White Lenses and One Green Lens  
\*All Class 2 ARB's require the TR option  
\*\*Standard Application – Options Available

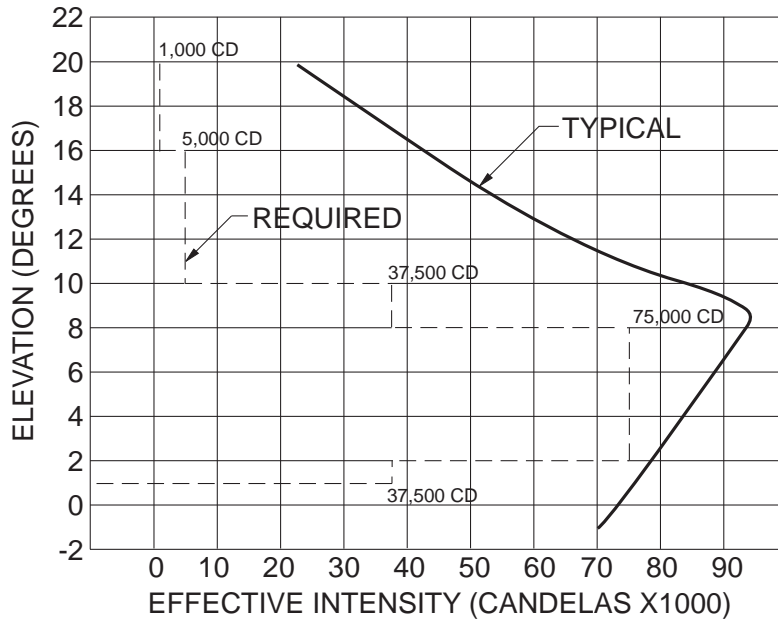
## Renewal Parts

Part Number	Description
10047-1802	Lamp, 400W Metal Halide (801XX)
10047-2292	Lamp, 1000W Metal Halide (802XX)
10047-2293	Tell-Tale Lamp, 250W Quartz (Option TR)
65020-1	Clear Lens (1000W ARB)
65020-2	Green Lens
65020-4	Clear Lens (400W ARB)
65045	Relay Assembly, TR option
65020-3	Yellow Lens
65018	Gearing Assembly
65057	Motor Assembly
65058-1	Ballast Assembly, 1000W, 120V, 60Hz
65058-2	Ballast Assembly, 1000W, 220V, 50Hz
65058-3	Ballast Assembly, 400W, 120V, 60Hz
65058-4	Ballast Assembly, 400W, 220V, 50Hz
10047-2344	Fuse, F1

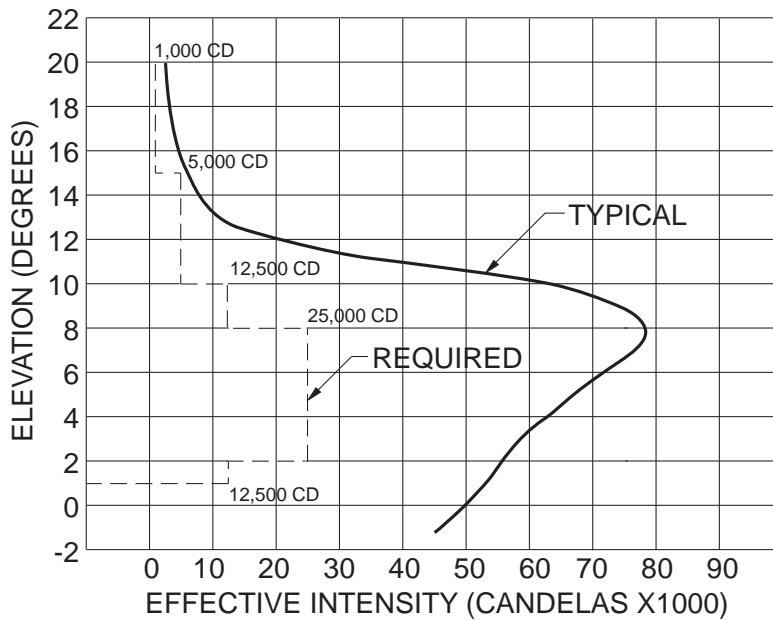
Dimensions:	Inches (Millimeters)	Shipping Weight:	243 Lbs. 110 kg.
Instruction Manual:	9218 (802XX) 9301 (801XX)	Shipping Volume:	47.5 cu.ft. 1.345 cu.m.

# Photometric Data

ELEVATION vs EFFECTIVE INTENSITY  
L-802A/S, 1000W, 2 LENS BEACON, WHITE LENS



ELEVATION vs EFFECTIVE INTENSITY  
L-801H, 400W, 3 LENS BEACON, WHITE LENS



## For more information

**CROUSE-HINDS**  
**AIRPORT LIGHTING PRODUCTS**  
 1200 Kennedy Road  
 Windsor, CT 06095  
 USA  
 TEL: (860) 683-4300  
 FAX: (860) 683-4354