



Flashing Red Beacon

**Compliances: FAA AC 150/5345-43: L-864
US Military Specification MIL-L-6273B
FCC Rules and Regulations
Transport Canada Specification K337
ICAO, ANNEX 14**



FCB

Applications

The FCB flashing red beacon is used for nighttime obstruction marking of tall man-made structures and geologic features that may present hazards to air navigation.

Features

- FAA Approved
- ETL Certified
- Complies with U.S. Military Specifications
- Red Glass Fresnel Lenses
- Available in clear (41257F-C)
- Emits 360° focused beam
- Operates on 120 or 230* volts and 60 or 50 Hz frequency power supply
- Cast Aluminum Base and Frame
- Hinged at Midpoint for Relamping
- Watertight and Non-ventilated
- Uses two lamps
- Requires an external flasher unit or OLC (order separately)
- Draws 11.7 Amps at 120V (using two 700W lamps)
- Shipped with AWG 14-4 SOW Cable (Except 41257G-H Beacon***)

Ordering Information

Example: The standard FCB is 41257G which may be operated on 120 or 230* volts, 60 or 50 Hz. The two lamps are not included. Order the correct voltage lamps separately. Order a flasher unit separately.

Catalog Number	Standard	Voltage	Lamp Type (2 per FCB)
41257G	FAA	120	A
		230	B
		120	C
44660B	MIL	120	C
44389C-TH**	FAA	120	A
		230	B
		120	C
41257G-H***	FAA/NEC	120	A
		230	B
		120	C

Lamp Type:

	Watts	Volts	Base Type	Lamp Number	Lamp Life (hours)
A	700	120	Mog. Pref./PS40	10047-2543	6000
B	700	230	Mog. Pref./PS40	10047-2445	6000
C	620	120	Mog. Pref./PS40	620PS40P	3000

* Typically for 220-240 Volts operation.

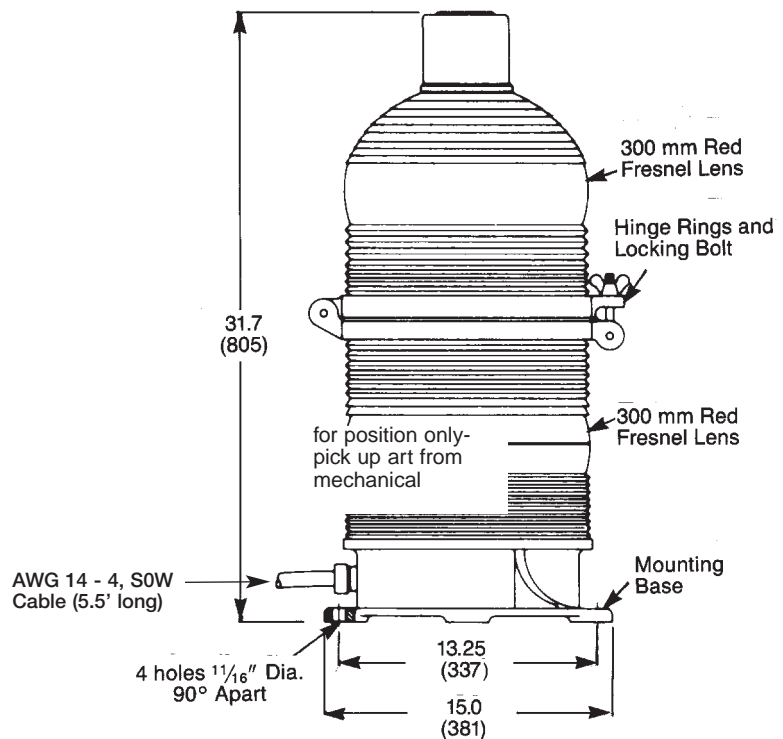
** Includes brackets for Joslyn brand lowering device. Crouse-Hinds also offers the complete Joslyn Obstruction Light Lowering System. See Parts Guide NAV-016 for details.

*** UL Listed for use in Class I, Div. 2, Groups A, B, C, D hazardous environments. (Contact CROUSE-HINDS for temperature rating compatibility with classified location.) 41257G-H Beacon furnished with 1 inch tapped hole (1"-11½ N.P.T.) and no cable.

Installation Drawing

FCB-41257G

Dimensions:	Inches (Millimeters)
Instruction Sheet:	AP277
Shipping Weight:	80.0 lbs. 36.3 kg.
Shipping Volume:	8.0 cu.ft. .227 cu.m.



Accessories

Catalog Number*	Description	Data Sheet
70000A Series	OLC Obstruction Lighting Controllers	JT-2.1
70006	PCF Photoelectric Controller & Flasher	JT-3.1
70007 to 70009	OLF Flashers	JT-4.2
52010	PEC Photoelectric Controller	JT-4.1
70020	OLR Universal Lamp Failure Alarm Relay	JT-3.2

*Consult Data Sheets for 230V versions.

Renewal Parts

Part Number	Description	Part Number	Description
620PS40P	Lamp, 620W, 120V	10050-15	Red Top Lens
10047-2541**	Lamp, 500W, 220-240V	10050-14	Red Upper Lens
ML2489	Gasket Set	10050-13	Red Lower Lens
601-A	Lamp Socket, Mog. Prefocus	HL5835B	Clear Top Lens (41257F beacon)
10047-1597**	Lamp Socket-S108, Mog. screw	HL5836B	Clear Upper Lens (41257F beacon)
HL5838	Wing Nut	HL5837B	Clear Lower Lens (41257F beacon)
HL5841B	Hinge Pin	HL5844	Red Color Screen (41257F beacon)
10047-2445	Lamp, 700W, 230V		
10047-2543	LAMP, 700W, 120V		

** For discontinued 41257G-S108 Beacon only.

For more information

COOPER Crouse-Hinds

**CROUSE-HINDS
AIRPORT LIGHTING PRODUCTS**
1200 Kennedy Road
Windsor, CT 06095 USA
TEL: (860) 683-4300
FAX: (860) 683-4354
TLX: 643-398

**CROUSE-HINDS
AIRPORT LIGHTING PRODUCTS**
5925 McLaughlin Road
Mississauga, Ontario
CANADA L5R 1B8
TEL: (905) 507-4187
FAX: (800) 263-9504

**CROUSE-HINDS
AIRPORT LIGHTING
PRODUCTS**